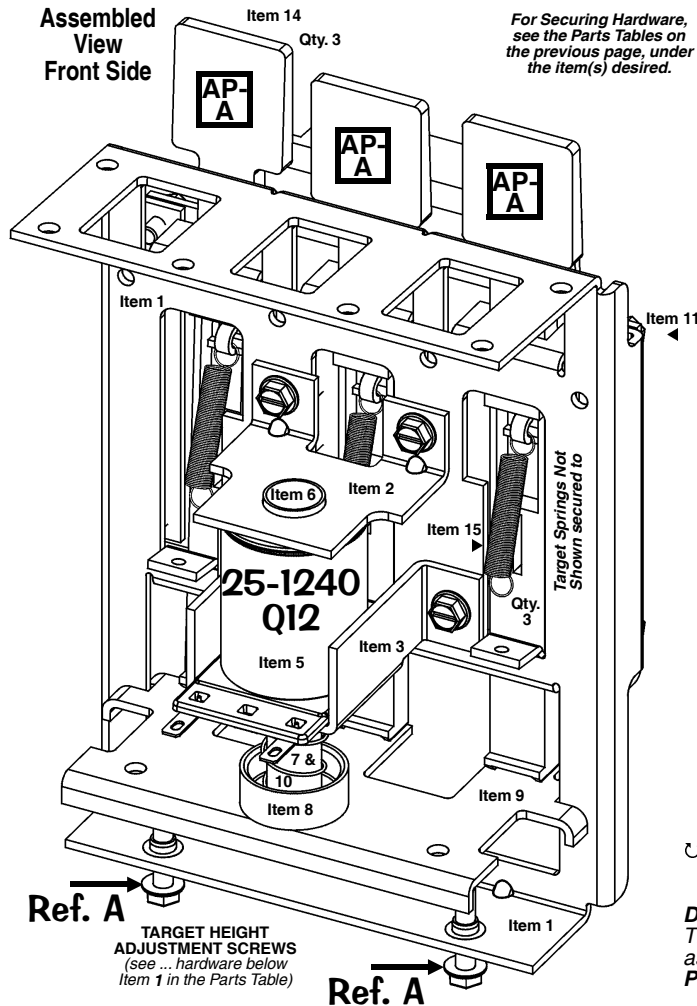
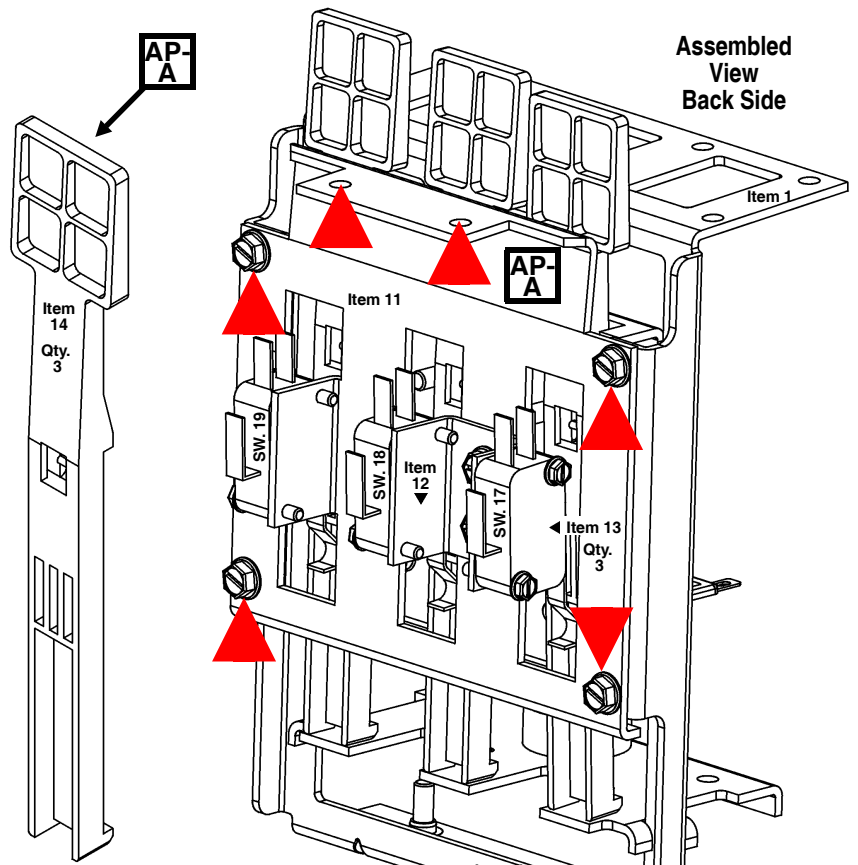


**3-Bank Drop Target
Assembly, 500-6794-01-86
(Items 1-15) Continued
Parts Table and Exploded View
on previous page.**

**Drop Target Height
Adjustment Procedure:**

With the Drop Targets (Item 14) in the **DOWN POSITION**, adjust the height of the Targets so the Drop Targets are "flush to slightly above" the playfield surface after replacing any target. This will ensure a **BALL TRAP** is **not created** where the ball can rest in the target hole area above the playfield.

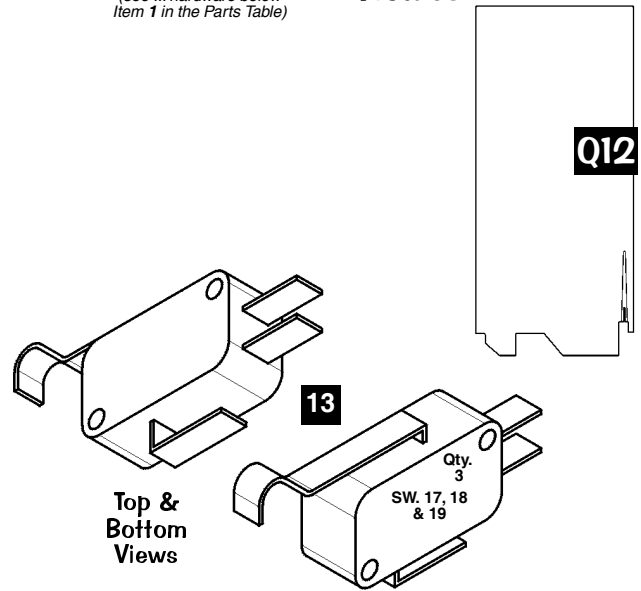
Using a 1/4" Nut Driver *and/or* Flat Screw Driver *and turn in or out* the Screws to **raise or lower** the Target Lift Plate Attachment Bracket (Item 9 or Ref. A) causing the Drop Targets to reach desired height as stated above.



For Securing Hardware, see the Parts Tables on the previous page, under the item(s) desired.

Ref. A
TARGET HEIGHT
ADJUSTMENT SCREWS
(see ... hardware below
Item 1 in the Parts Table)

Ref. A



Top &
Bottom
Views

Take Note:

⊖ **Coil Note:** ⊖ Either -00B or -00T can be used for coil replacements. B/T listed is preferable for easier diode access & may differ on game.

DOTS: The Switch Diodes, 1N4001, are not located on this Assembly. They are located on a Terminal Strips under the playfield near this assembly. See Section 5, Chapter 2, Playfield Terminal Strips ..., Page 111, for more details.

