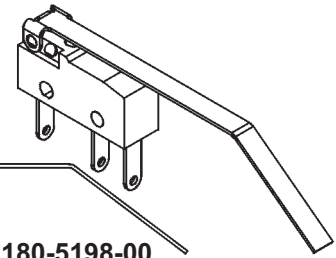
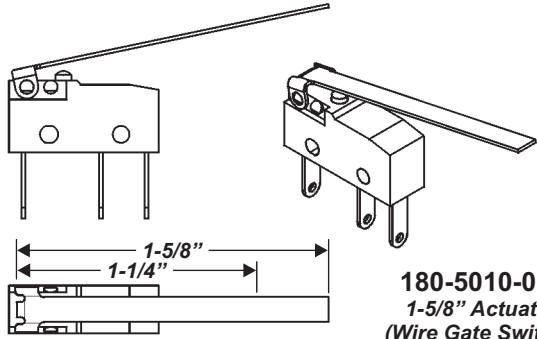


Which Switch is Which? Switch between chapters ...

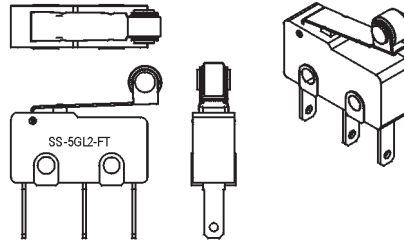
Identifying switches. Find your switch in the **Pink** or **Blue Pages**. For playfield switch location, see Pages **66-67**. These pages identify the type, quantity used, location and switch matrix number. You can also find your switch on the assembly itself, by looking in **Chapter 2, Drawings for Major Assemblies & Ramps**; see Page **81** to locate your assembly and page number.



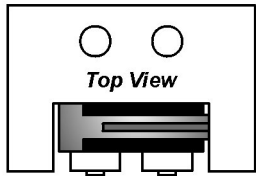
180-5198-00
Custom Actuator
(Special Application Switch)
Cherry DA3A-B1A



180-5010-01
1-5/8" Actuator
(Wire Gate Switch)
180-5010-04
1-1/4" Actuator
(Spinner Switch)

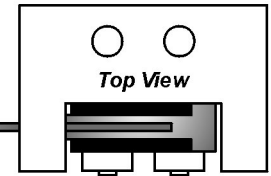


180-5119-02
Roller Actuator
(Ball Trough Switch
and Special Applications)
SS-5GL2-FT

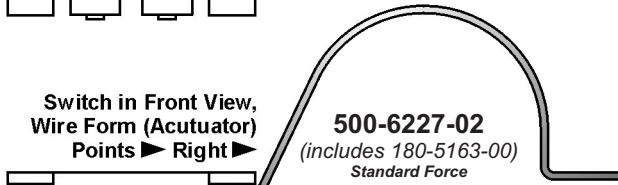


Top View

Telling your Left from your Right ...

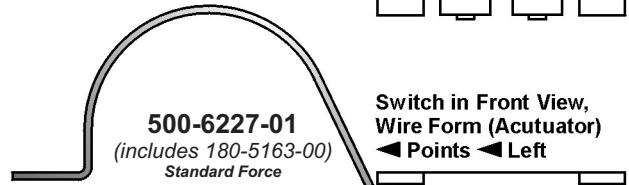


Top View



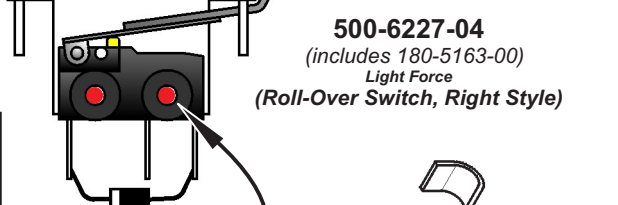
Switch in Front View,
Wire Form (Acuator)
Points ▶ Right

500-6227-02
(includes 180-5163-00)
Standard Force

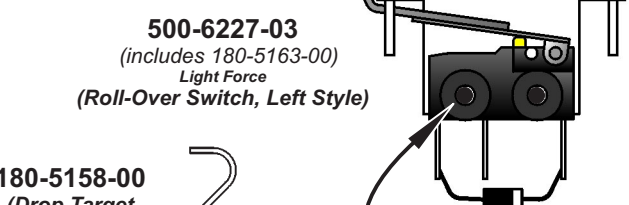


Switch in Front View,
Wire Form (Acuator)
Points ◀ Left

500-6227-01
(includes 180-5163-00)
Standard Force



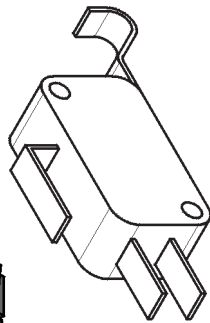
500-6227-04
(includes 180-5163-00)
Light Force
(Roll-Over Switch, Right Style)



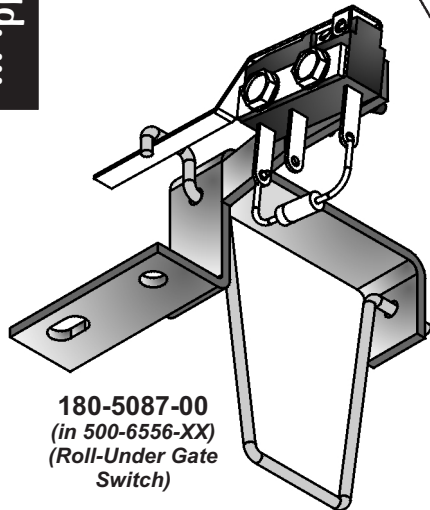
500-6227-03
(includes 180-5163-00)
Light Force
(Roll-Over Switch, Left Style)

Light Force is indicated with the switch mounting studs painted red. Standard Force remains the natural color of the plastic bracket.

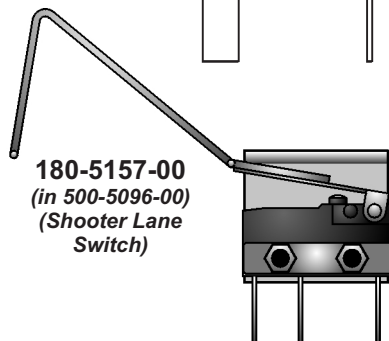
Light Force is indicated with the switch mounting studs painted black. Standard Force remains the natural color of the plastic bracket.



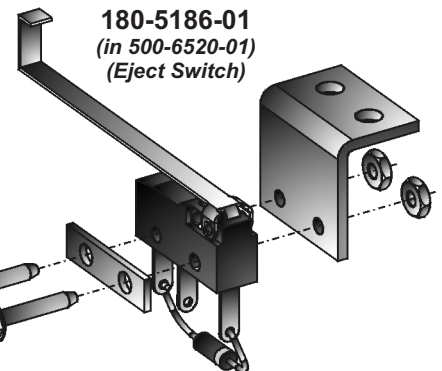
180-5158-00
(Drop Target Switch)



180-5087-00
(in 500-6556-XX)
(Roll-Under Gate Switch)



180-5157-00
(in 500-5096-00)
(Shooter Lane Switch)



180-5186-01
(in 500-6520-01)
(Eject Switch)

Sec. 4: Parts Id. ...