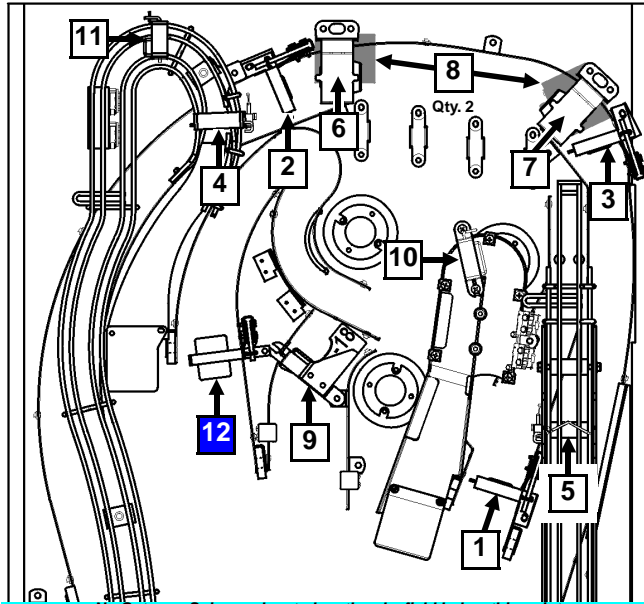
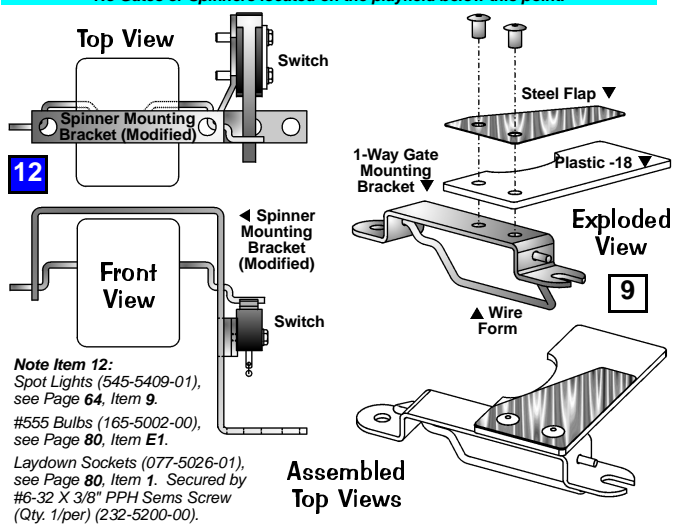


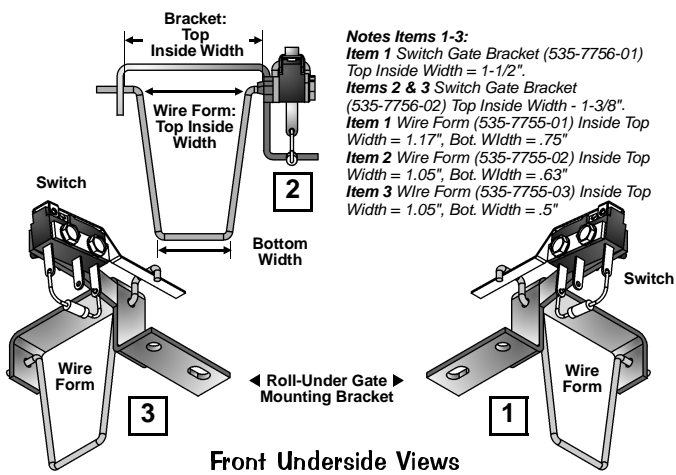
Playfield Top - Roll-Under Gates & Spinner ■



Nr.	ROLL-UNDER GATE PARTS	QTY.	SPI PART Nr.
1	Roll-Under Switch Gate <i>Individual Parts Only</i> : Switch (180-5087-00), Switch Gate Bracket (535-7756-01) and Wire Form on Bracket (535-7755-01) Switch Matrix Number 25	1	Ind. Parts Only
2	Roll-Under Switch Gate <i>Individual Parts Only</i> : Switch (180-5087-00), Switch Gate Bracket (535-7756-02) and Wire Form on Bracket (535-7755-02) Switch Matrix Number 18	1	Ind. Parts Only
3	Roll-Under Switch Gate <i>Individual Parts Only</i> : Switch (180-5087-00), Switch Gate Bracket (535-7756-02) and Wire Form on Bracket (535-7755-03) Switch Matrix Number 33	1	Ind. Parts Only
Items 1-3 are secured to Flat Rail by: #6-32 X 3/8" PPH (Qty. 2/per) (232-5201-00) and #6-32 Nylon Stop Nut (Qty. 2/per) (240-5005-00)			
4	Roll-Under Switch Gate <i>Individual Parts Only</i> : Switch (180-5010-01), Switch Gate Bracket (welded to Left Wire Ramp) and Wire Form on Bracket (535-9375-00) Switch Matrix Number 9	1	Ind. Parts Only
5	Roll-Under Switch Gate <i>Individual Parts Only</i> : Switch (180-5010-01), Switch Gate Bracket (welded to Right Wire Ramp) and Wire Form on Bracket (535-9375-01) Switch Matrix Number 29	1	Ind. Parts Only
Note Items 1-5 do differ! Look closely at the Switch, Bracket & Wire Form Part Numbers. Also, additional minor switch parts are noted at the bottom of this Parts Table.			



6	2-Way Ball Gate (Upper Left) <i>Individual Parts Only</i> : Ball Gate Mounting Bracket (535-9470-00), Ball Gate Flap (535-9471-00), Rebound Hinge (535-5372-04) and Wire Form (Qty. 1) (535-7721-02) ◀ note Wire Form for left gate differs	1	Ind. Parts Only
7	2-Way Ball Gate (Upper Right) <i>Individual Parts Only</i> : Ball Gate Mounting Bracket (535-9470-00), Ball Gate Flap (535-9471-00), Rebound Hinge (535-5372-04) and Wire Form (Qty. 1) (535-7721-03) ◀ note Wire Form for right gate differs	1	Ind. Parts Only
Items 6 & 7 are secured by: #8 X 1/2" SLT HWH AB (Zinc) (Qty. 2/per) (234-5101-00)			
8	Ball Gate Coil & Mntg. Bracket Asm. Item 8 opens and closes the 2-Way Ball Gates (Items 6 & 7). <i>Assembly Parts Included</i> : Coil Mounting Bracket (535-7727-01), Mini-Coil Assembly (515-6543-00) consists of : Mini-Coil 32-1800 (090-5031-00) & Coil Frame (535-6198-00), #8-32 X 3/8" PPH MS Ext Sems (Zinc) (232-5301-00) and Spring Extension (265-5045-01) Item 8 is secured below the P/F by: #8 X 1/2" SHWH AB (Zinc) (Qty. 2/per) (234-5101-00) Coil (Solenoid) Numbers Q5 & Q6	2	515-6544-01
9	1-Way Ball Gate Bracket (behind Safe) <i>Individual Parts Only</i> : Ball Gate Mounting Bracket (535-9555-00), Wire Form (535-9553-00), Steel Flap (535-9563-00) and Plastic (Clr.) -18 (ref. only) (Kit: 803-5000-85) Note: Individual Plastics (830-6033-18) are not available individually, ordering of kit is required. For all pieces, see P/F - Plastics (Screened & Clear) ... Page 69. Flap & Plastic secured onto bracket by: Rivet, 1/8" ø X 3/16" Long (Qty. 2) (249-5001-00) Item 9 is secured by: #6-32 X 3/8" PPH MS Ext. Sems (Zinc) (Qty. 1) (232-5201-00) and #6-32 Nylon Stop Nut (Qty. 1) (240-5005-00)	1	Ind. Parts Only
10	1-Way Ball Gate Bracket (Rt. Steel Ramp) <i>Individual Parts Only</i> : Ball Gate Mounting Bracket, Small (535-5269-03) and Wire Form (535-5307-03) (on ASM. REF. 515-7459-00) Item 10 is secured to the Rt. Steep Ramp by: #6-32 X 3/16" PPH MS Sems (Zinc) (Qty. 2) (232-5200-00)	1	Ind. Parts Only
11	1-Way Ball Gate Bracket (Lt. Wire Ramp) <i>Individual Parts Only</i> : Ball Gate Mounting Bracket (welded to Left Wire Ramp) and Wire Form (535-9551-00)	1	Ind. Parts Only



Nr.	SPINNER PARTS	QTY.	SPI PART Nr.
12	Spinner & Switch <i>Individual Parts Only</i> : Switch (1-1/4" Actuator) (180-5010-04), Spinner Mounting Bracket Modified (535-8684-85) and Spinner Target Sub-Assembly (515-7088-00) and Lexan Decals (reference only) (Kit: 802-5001-85) Note: Individual Lexan Decals (830-6359-01 & -02) are not available individually, ordering of kit is required. For all pieces, see P/F - Plastics (Screened & Clear) Kit, Decals & Mylar Kits, Page 69. (ASM. REF. 500-6421-85) (Identical to 500-6421-00 (with unmodified Bracket, 535-8684-00)) Item 12 is secured to Flat Rail by: #6 X 1/2" SHWH AB (Red) (Qty. 1) (234-5001-02) and #6-32 X 1/2" Sit. HWH Sw (Zinc) Wax (Qty. 1) (237-5976-03), 500-6421-00 Switch Matrix Number 27	1	Ind. Parts Only

Take Note:

Legend Note:
Items noted with a white square are Roll-Under Gates, which includes gravity 1-way gates (without coil assist or switches), gates with switches and/or 2-way gates (open/close coil assisted).
Items noted with a blue square ■ are Spinner Gate(s).

Switches on Items 1, 2, 3, 4, 5 & 12 above require :
Switch Body Protect Plate (Qty. 1/per) (535-6539-00),
Diode 1N4004 (Qty. 1/per) (112-5003-00) and
#2-56 X 1/2" Unslotted Serrated HWH #4 Head TR3 Black (Qty. 2/per) (237-5937-02)

Switches on Items 4 & 5 above require additional :
Plastic (Clear) Spacer -22 (Qty. 1/per between welded Ramp Bracket & Switch)

Note Items 4, 5, 6, 7, 8, 10 & 11: For better view(s), see **Drawings for Major Assemblies & Ramps (The Blue Pages)**, Section 4, Chapter 2, (Page 81), (view Table of Contents for exact page).