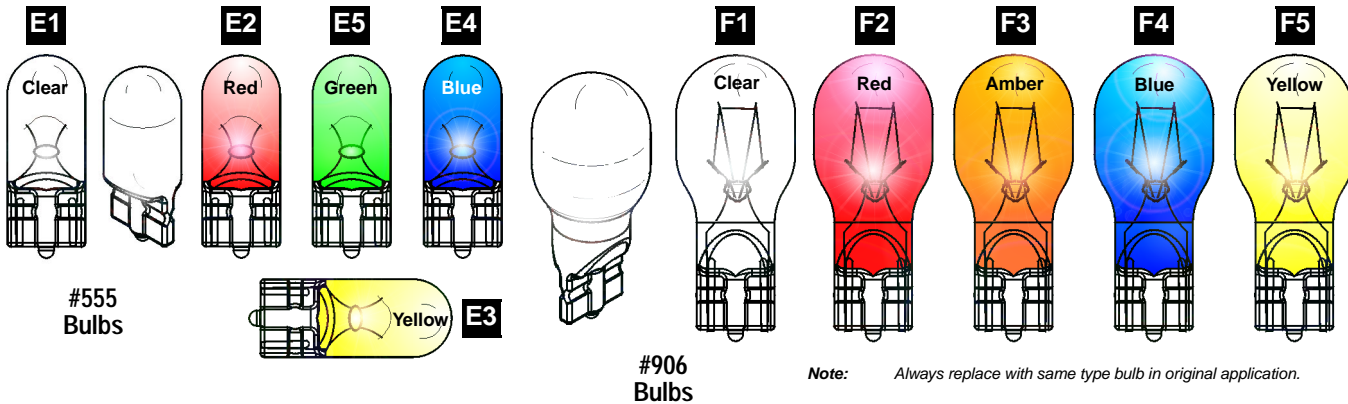
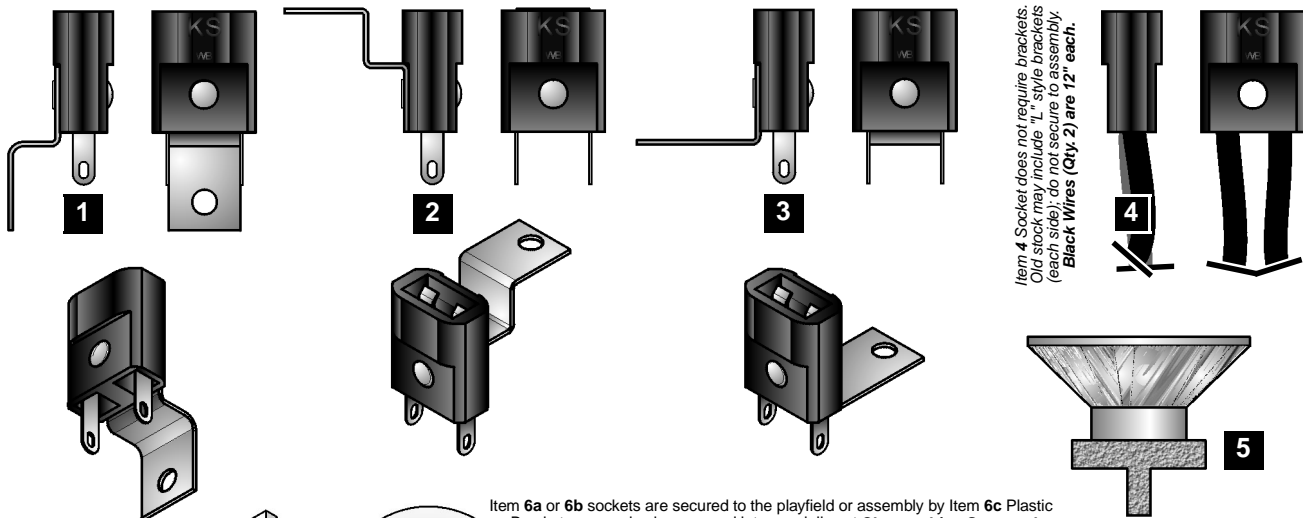


Playfield Top & Bottom - Wedge Base Sockets & Bulbs (Actual Size) †



Note: Always replace with same type bulb in original application.

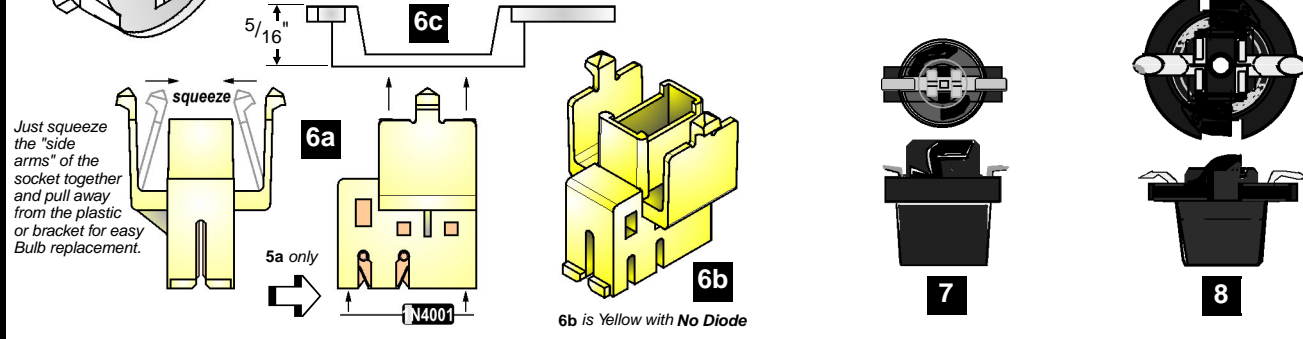


Item 4 Socket does not require brackets. Old stock may include "L" style brackets (each side); do not secure to assembly. Black Wires (Qty. 2) are 12" each.

Item 6a or 6b sockets are secured to the playfield or assembly by Item 6c Plastic Bracket or may also be snapped into specially cut Clear and / or Screened Plastic Pieces (used only when sockets are positioned closely together or when used on plastics under Mini-Mars Light Covers. If Plastic Pieces are used to mount some 6a or 6b Sockets, it will be noted on Playfield Top - Plastics (Screened & Clear) Kit, ..., Page 69.

Item 6a is a solderless IDC (Insulation Displacement Connection) Socket with a built-in Diode, 1N4003 (112-5003-00) (can be replaced with 1N4001 Diode, 112-5001-00). Item 6b Socket (Yellow) is identical to 6a (Socket) except it does NOT REQUIRE a diode (Flash Lamp usage).

Sec. 4: Parts Id. ...



Just squeeze the "side arms" of the socket together and pull away from the plastic or bracket for easy Bulb replacement.

6b is Yellow with No Diode

Nr.	BULBS (#555 & #906)	QTY.	SPI PART Nr.	Nr.	BULBS (#555 & #906)	QTY.	SPI PART Nr.
E	#555 Wedge Base Bulb (Clear)	54	165-5002-00	F	#906 Wedge Base Bulb (Clear)	6	165-5004-00
	#555 Wedge Base Bulb (Yellow)	5	165-5054-06		Item F Note: Different Colors available (not used in this game) - Red (165-5004-02); Amber (165-5004-03); Blue (165-5004-05); Yellow (165-5004-06)		

Nr.	WEDGE BASE SOCKETS	QTY.	SPI PART Nr.	Nr.	WEDGE BASE SOCKETS	QTY.	SPI PART Nr.
1	Wedge Base Socket (Laydown)	3	077-5026-01	6a	IDC Snap-On Socket (Biege)	51	077-5216-00
2	Wedge Base Socket (Offset)	5	077-5029-00	6b	IDC Snap-On Socket No Diode (Yel.)	3	077-5216-01
3	Wedge Base Socket (Laydown GI)	3	077-5030-00	6c	5/16" Ht. Bracket (White)	51	545-5760-18
4	W.B. Socket (Bumpers/Special App.)	2	077-5206-00	7	#555 only Wedge Base Socket (Twist)		077-5007-00
5	Light Reflector (Silver Plastic)	3	545-5409-01	8	#906 only Wedge Base Socket (Twist)		077-5016-00

Note Item 5: Typically used with Item 1 (but will fit on any similar Wedge Base Socket).

† The item type (size / description), the quantity and/or location used, are subject to change without notice. Service Bulletins will announce any changes, if warranted.