

Fish Head & Body, Fish Jaw & Lever Support Bracket & Fish Jaw (Coil) Actuator Individual Parts Only (Items 1-20)

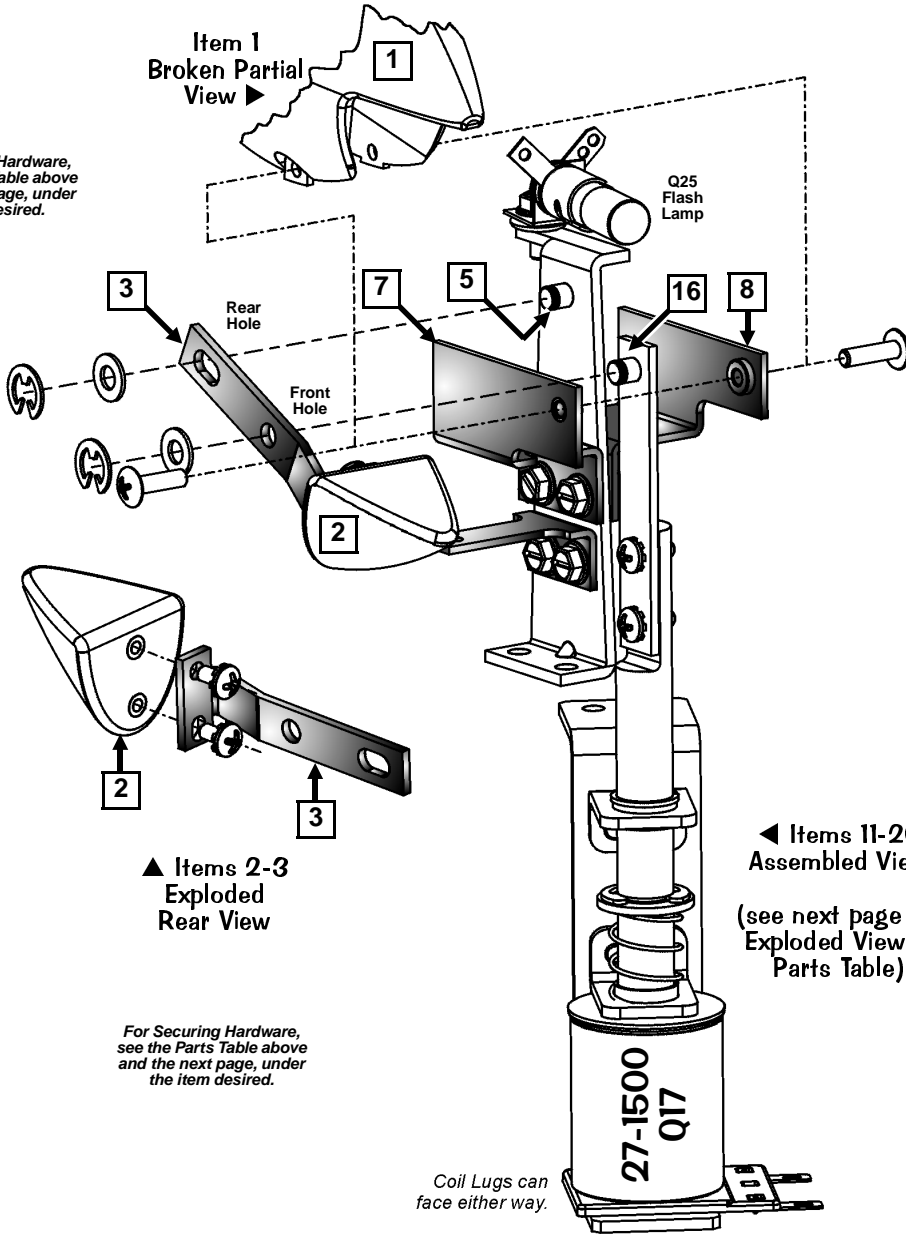
Nr.	FISH PARTS	QTY.	SPI PART Nr.
1	Fish Head & Body Glued Assembly	1	515-7455-00
<i>Assembly Parts Included</i> : Fish Head & Body (Molded, no jaw) (545-6127-00) and Fish Eyes (Trimmed Lite Hats, Clear) (Qty. 2, glued) (550-5072-01) (Not Available Unglued)			
Item 1 is secured to Items 7 & 8 (described next page) by: #6-32 X 1/2" PTH MS (Zinc) (Qty. 2) (237-6157-00)			
and Item 1 is secured at the rear onto the Wood Rail through Plastic -23 by: #6 X 1/2" PTH AB (Zinc) (Qty. 1) (237-5809-00) (ASM. DWG. REF. ONLY 500-6861-00)			
2	Fish Jaw (Molded)	1	545-6126-00
Item 2 is secured to Item 3 by: #6-32 X 1/4" PPH MS Ext. Sems (Zinc) (Qty. 2) (232-5200-00) (ASM. REF. 500-6864-00, Items 2-3)			
3	Fish Jaw (Mounting) Lever Support Bracket	1	535-9597-00
Item 3 is secured to Items 5 (rear) and 16 (front) (described next page) by: Retaining Ring, 3/16" (Qty. 1 per Pem Stud) (270-5024-00) and Fiber Washer 3/16" I.D. X 3/8" O.D. X .031 Thick MC95601A305 (Qty. 1 per side as shown) (242-5083-00)			
4*	Kit: Plastics (includes Plastic -31)	1	803-5000-85
<i>Note:</i> Individual Plastics (830-6033-XX) are not available individually, ordering of kit is required. For all pieces, see Playfield Top - Plastics (Screened & Clear) Kit, ... , Page 69.			
Item 4 is secured onto Item 1 by: #4 X 1/2" PFH (Zinc) (Qty. 2) (237-5840-00)			
Replace. Note: If replacing fish, note the mounting holes for the ball trap prevention plastic.			

Parts Table & Views continue on the next page.

Take Note:

* An asterisk (*) indicates item(s) are not noted in the pictorials.

For Securing Hardware, see the Parts Table above and the next page, under the item desired.

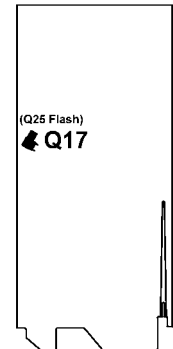


◀ Items 5-10 Assembled View

(see next page for Exploded View & Parts Table)

◀ Items 11-20 Assembled View

(see next page for Exploded View & Parts Table)



For Securing Hardware, see the Parts Table above and the next page, under the item desired.

▲ Items 2-3 Exploded Rear View

Sec. 4: Drawings ...