

Fish Head & Body, Fish Jaw & Lever Support Bracket & Fish Jaw (Coil) Actuator Individual Parts Only (Items 1-20) Continued

Nr.	FISH PARTS	QTY.	SPI PART Nr.
-----	------------	------	--------------

Parts Table & Views continue on the previous page.

5 Lever Support Bracket (Weldment) 1 515-7460-00
Item 5 is secured above the P/F by: #8-32 X 5/8" PPH MS Ext. Sems (Zinc) (Qty. 2) (232-5300-00)

6 Support Tie Bracket 1 535-9598-00
Item 6 is secured to Item 5 by: #6-32 X 1/4" HWH Swage Sr. (Zinc) (Qty. 2) (237-5976-01) and onto the Wood Rail by: #6 X 1/2" PTH AB (Zinc) (Qty. 1) (237-5809-00)

7 Mounting Bracket (Right Fin Side) 1 515-7461-00

8 Mounting Bracket (Left Fin Side) 1 515-7462-00

Items 7 & 8 is secured to Item 5 by: #6-32 X 3/8" HWH Swage Serr. (Zinc) (Qty. 2) (237-5976-02) and #6-32 Keps Nut (Qty. 2) (240-5008-00)

9 Sm. Bayonet 2-Lug Laydown Socket 1 077-5003-00
Item 9 is secured to Item 5 by: #6-32 X 3/8" HWH Swage Serr. (Zinc) (Qty. 1) (237-5976-02) and Rubber Ring, 7/16" O.D. (Qty. 1) (545-5348-17)

10 LED Module (White) (12.8v 20-25mA) 1 112-5023-08
(ASM. REF. 500-6863-00, Items 5-10)

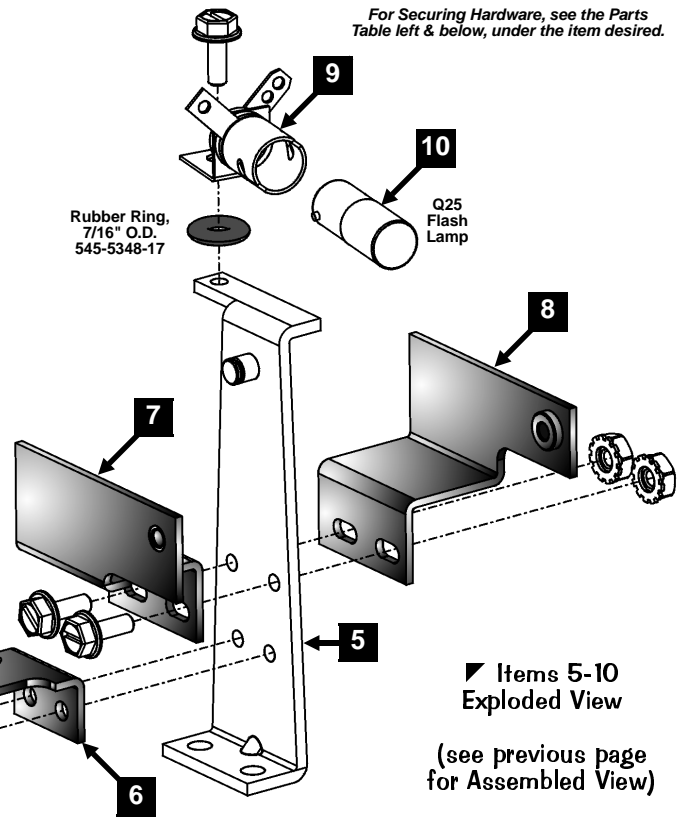
11 Ball Lock Mounting Bracket Assembly 1 515-7132-00
Item 11 is secured below the P/F by: #8 X 1/2" SHWH AB (Zinc) (Qty. 3) (234-5101-00)

12 Coil Retaining Bracket 2 535-5203-03
Item 12 is sec. to Item 1 by: #8-32 X 1/4" PPH MS (Sems) Zinc (Qty. 2/per) (232-5300-00)

13 Coil, 27-1500 1 090-5004-00B
Coil has a Diode (1N4004) (112-5003-00) positioned @ bot (below lugs opposite windings).

14 Coil Sleeve 1 545-5411-00

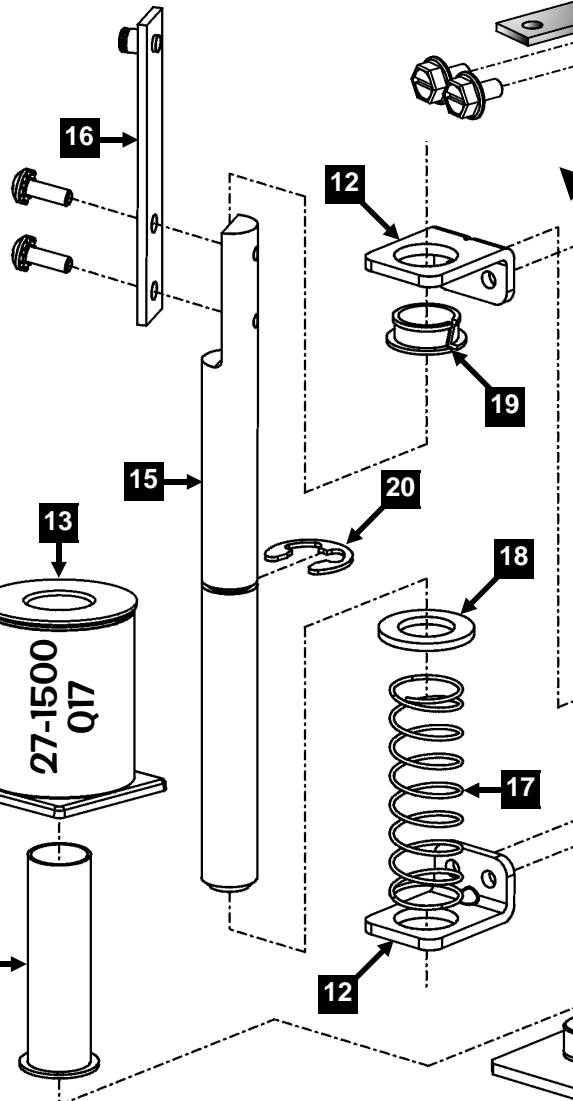
Parts Table continued below.



For Securing Hardware, see the Parts Table left & below, under the item desired.

Items 5-10 Exploded View

(see previous page for Assembled View)



Nr.	FISH PARTS	QTY.	SPI PART Nr.
-----	------------	------	--------------

Parts Table continued from above.

15 Plunger (Steel) (for Item 16) 1 530-5692-00

16 Plunger (Pivot Extension) Asm. 1 515-7463-00

Item 16 is secured to Item 15 by: #6-32 X 3/8" PPH Sems (Zinc) (Qty. 2) (232-5201-00)

17 Compression (Relay) Spring 1 266-5081-00

18 Nylon Washer .44" I.D. X .75" O.D. 1 242-5081-00

19 Nylon 7/16" Shaft (7L2-FF) 1 545-5418-01

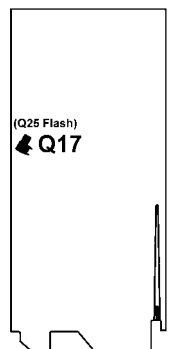
20 Retaining Ring, 7/16" ø Shaft 1 270-5005-00

(ASM. REF. 500-6862-00, Items 11-20)

Items 11-20 Exploded View

(see previous page for Assembled View)

For Securing Hardware, see the Parts Table above, under the item desired.



Sec. 4: Drawings ...