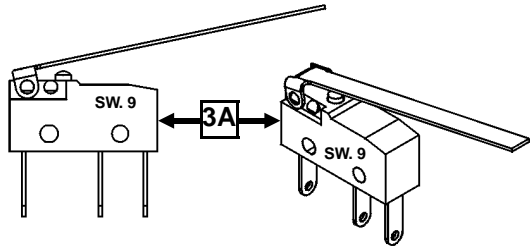


Left Wire Ramp Individual Parts Only (Items 1-5) and Left Steel Ramp 515-7464-00 (Item 6)

For Securing Hardware, see the Parts Table below, under Item desired.

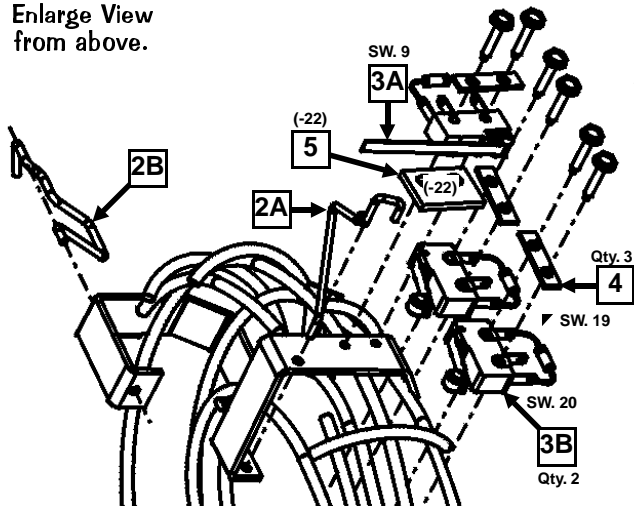


A = Through Plastic -16 on Hex Spacer 1-1/2" (254-5008-09, Page 72, Item 12 for view), #6 Washer (Qty. 2, above and below wire tab) (242-5001-00) and #6-32 X 3/8" PPH MS Sems Ext. (Zinc) (232-5201-00)

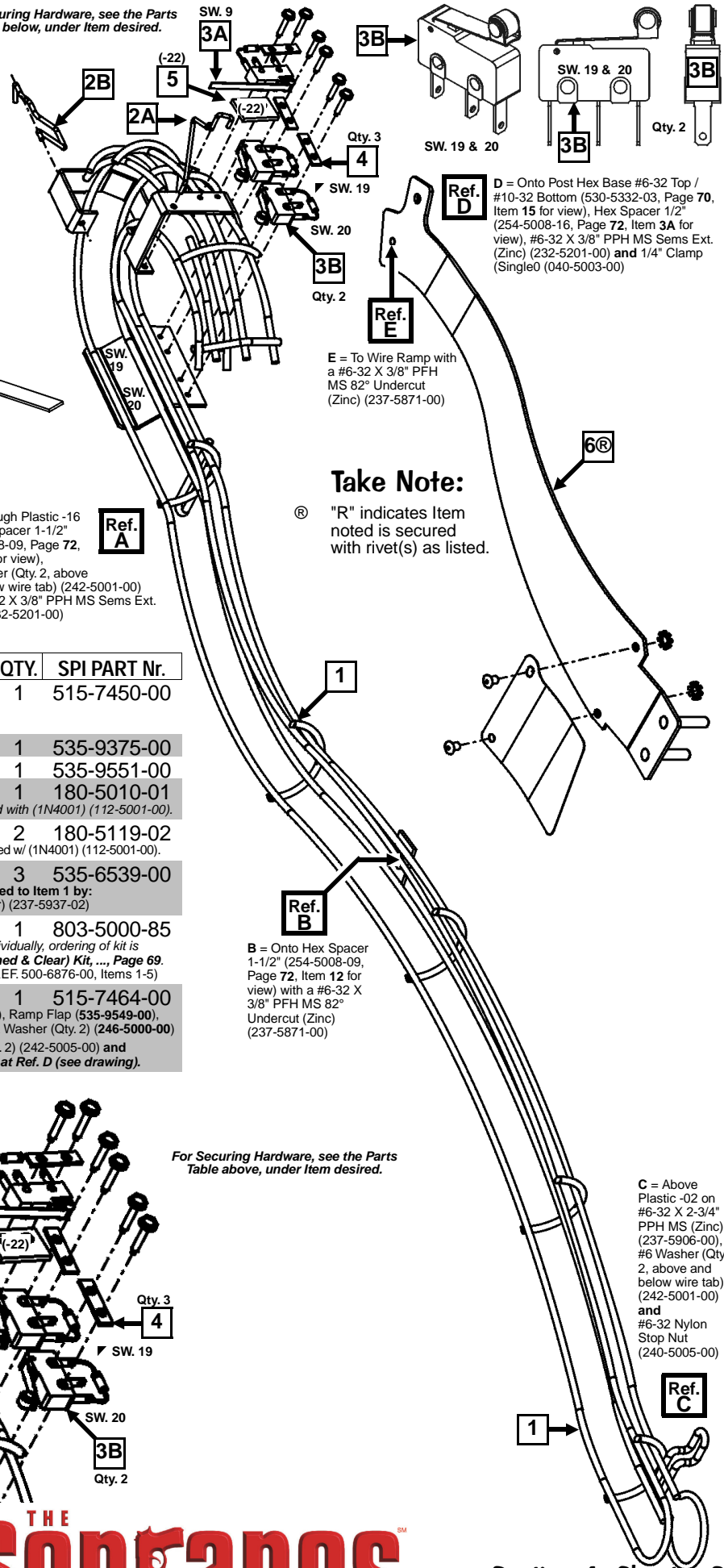
Ref. A

Nr.	LEFT RAMP PARTS	QTY.	SPI PART Nr.
1	Wire Ramp (Left) <i>No Parts</i>	1	515-7450-00
Item 1 is secured to Item 6 @ top by: Ramp secured at Ref. A, B & C (see drawing).			
2A	Wire Form (Left Style) (Gate Sw. 9)	1	535-9375-00
2B	Wire Form (for 1-Way Gate)	1	535-9551-00
3A	Switch (1 5/8" Actuator) (for Wire Gates)	1	180-5010-01
Switch has a Diode (1N4004) (112-5003-00). Can be replaced with (1N4001) (112-5001-00).			
3B	Switch (Roller-Actuator, Lite Force)	2	180-5119-02
Each Switch has a Diode (1N4004) (112-5003-00). Can be replaced w/ (1N4001) (112-5001-00).			
4	Switch Body Protect Plate	3	535-6539-00
Items 3A, 3B, 4 & 5 (Plastic -22 for Item 3A only) are secured to Item 1 by: #2-56 X 1/2" Unslotted HWH #4 Hex Head TR3 Blk (Qty. 2/per) (237-5937-02)			
5	Kit: Plastics (incl. Plastic -22)	1	803-5000-85
Note: Individual Plastics (830-6033-XX) are not available individually, ordering of kit is required. For all pieces, see <i>Playfield Top - Plastics (Screened & Clear) Kit, ...</i> , Page 69. (ASM. REF. 500-6876-00, Items 1-5)			
6®	Left Steel Ramp (Riveted Assembly)	1	515-7464-00
Assembly Parts Included: Steel Ramp (Left) (535-9545-00), Ramp Flap (535-9549-00), Rivet, 1/8" ø X 3/16" Long (Qty. 2) (249-5001-00) and #6 Lock Washer (Qty. 2) (246-5000-00)			
Item 6® is secured below the playfield by: #8 Washer (Qty. 2) (242-5005-00) and #8-32 Nylon Stop Nut (Qty. 2) (240-5102-00) Ramp secured at Ref. D (see drawing).			

Enlarge View from above.



For Securing Hardware, see the Parts Table above, under Item desired.



D = Onto Post Hex Base #6-32 Top / #10-32 Bottom (530-5332-03, Page 70, Item 15 for view), Hex Spacer 1/2" (254-5008-16, Page 72, Item 3A for view), #6-32 X 3/8" PPH MS Sems Ext. (Zinc) (232-5201-00) and 1/4" Clamp (Single0) (040-5003-00)

E = To Wire Ramp with a #6-32 X 3/8" PFH MS 82° Undercut (Zinc) (237-5871-00)

Take Note:
® "R" indicates Item noted is secured with rivet(s) as listed.

B = Onto Hex Spacer 1-1/2" (254-5008-09, Page 72, Item 12 for view) with a #6-32 X 3/8" PFH MS 82° Undercut (Zinc) (237-5871-00)

C = Above Plastic -02 on #6-32 X 2-3/4" PPH MS (Zinc) (237-5906-00), #6 Washer (Qty. 2, above and below wire tab) (242-5001-00) and #6-32 Nylon Stop Nut (240-5005-00)

Sec. 4: Drawings ...