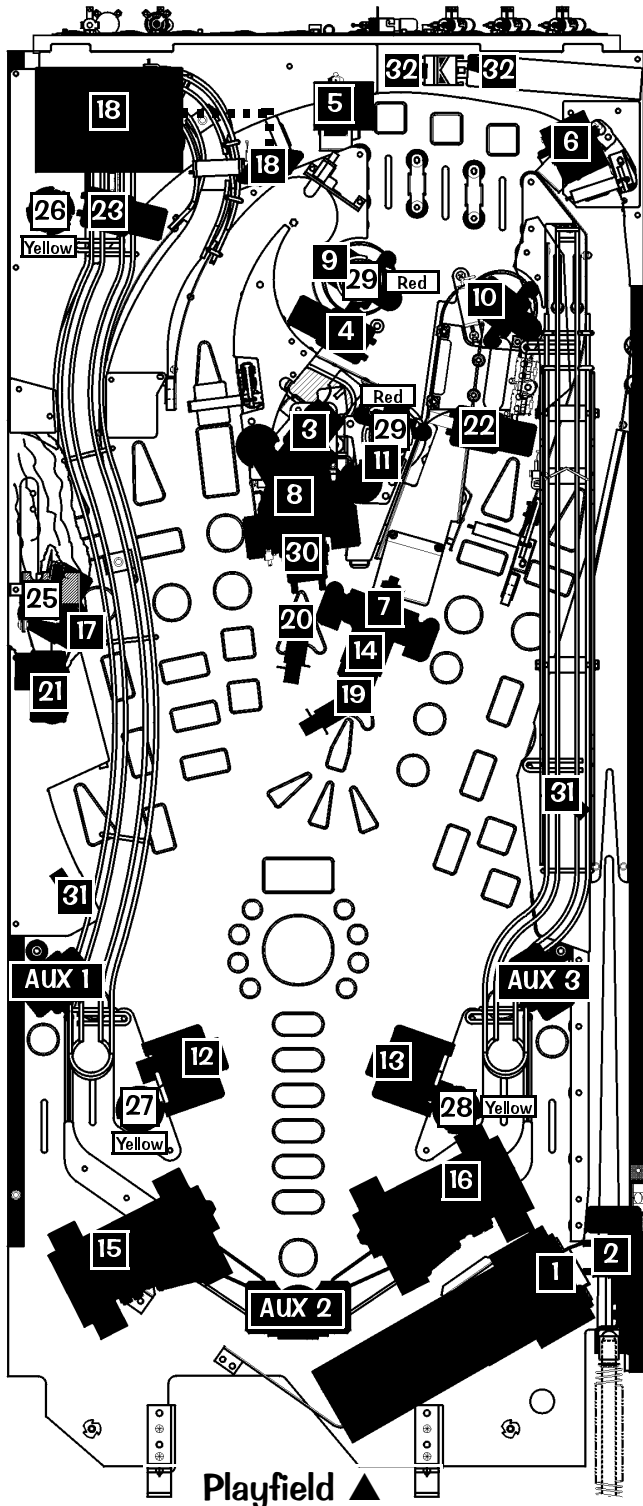
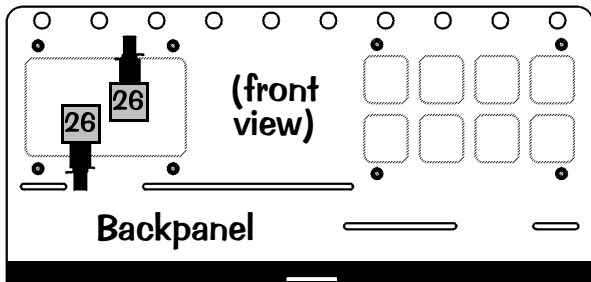
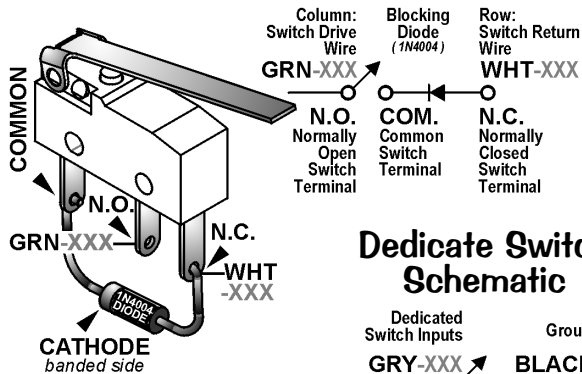


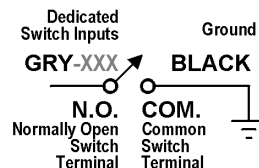
COIL & FLASH LAMP LOCATIONS



Typical Switch Wiring & Schematic

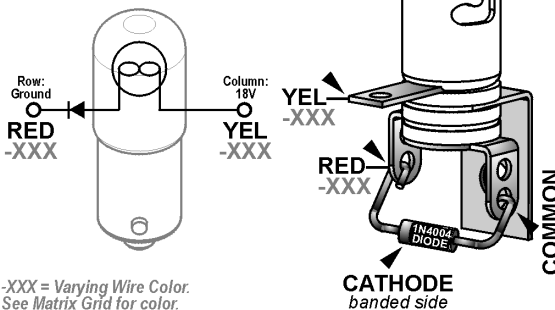


Dedicate Switch Schematic



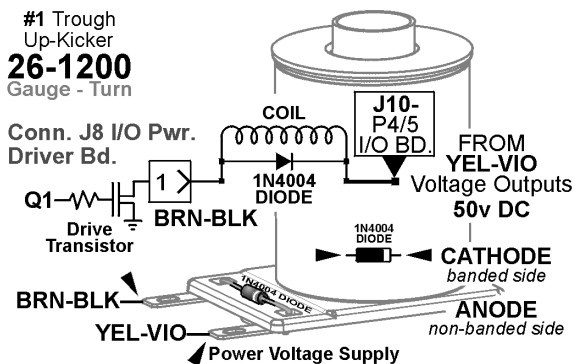
-XXX = Varying Wire Color. See Matrix Grid for color.

Typical Lamp Schematic & Wiring



-XXX = Varying Wire Color. See Matrix Grid for color.

Typical Coil Schematic & Wiring



- = Coils / Flash Lamps above Playfield.
- = Coils / Flash Lamps below Playfield.
- = Coils / Flash Lamps not on Playfield.
- Color** = Color of Mini-Mars of Flash Lamp Bulb.

Some Coil or Flash Lamp Diodes may be located under the playfield, in the Cabinet or Backbox on Terminal Strips or Diode Boards and not on the assemblies. DOTS: Diode On Terminal Strip See Section 5, Chapter 2, Playfield Wiring.

Coil Q24 is Optional. If either a Coin Meter, Token Dispenser or Knocker (all optional equipment) is required, call Technical Support for more information, 1-800-542-5377 or 1-708-345-7700.