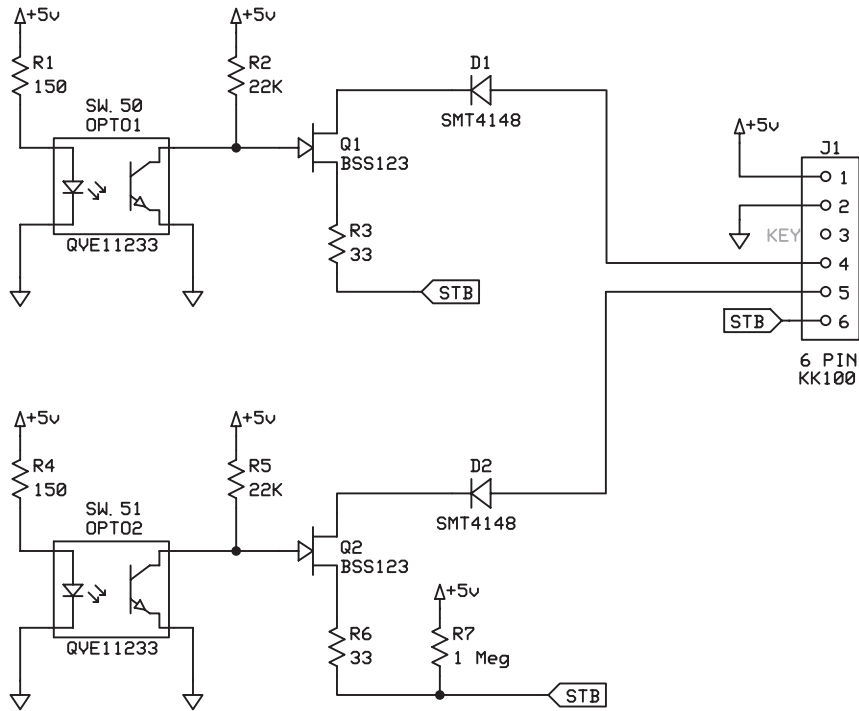
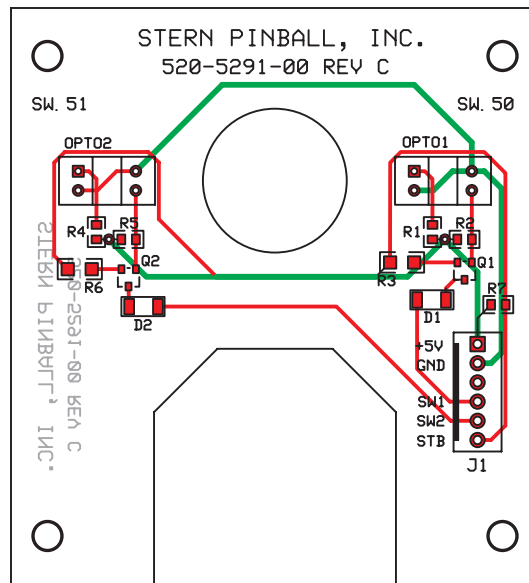


OPTO Interrupter PCB (520-5291-00) Schematic (Driver Disc, Joker Asm.)

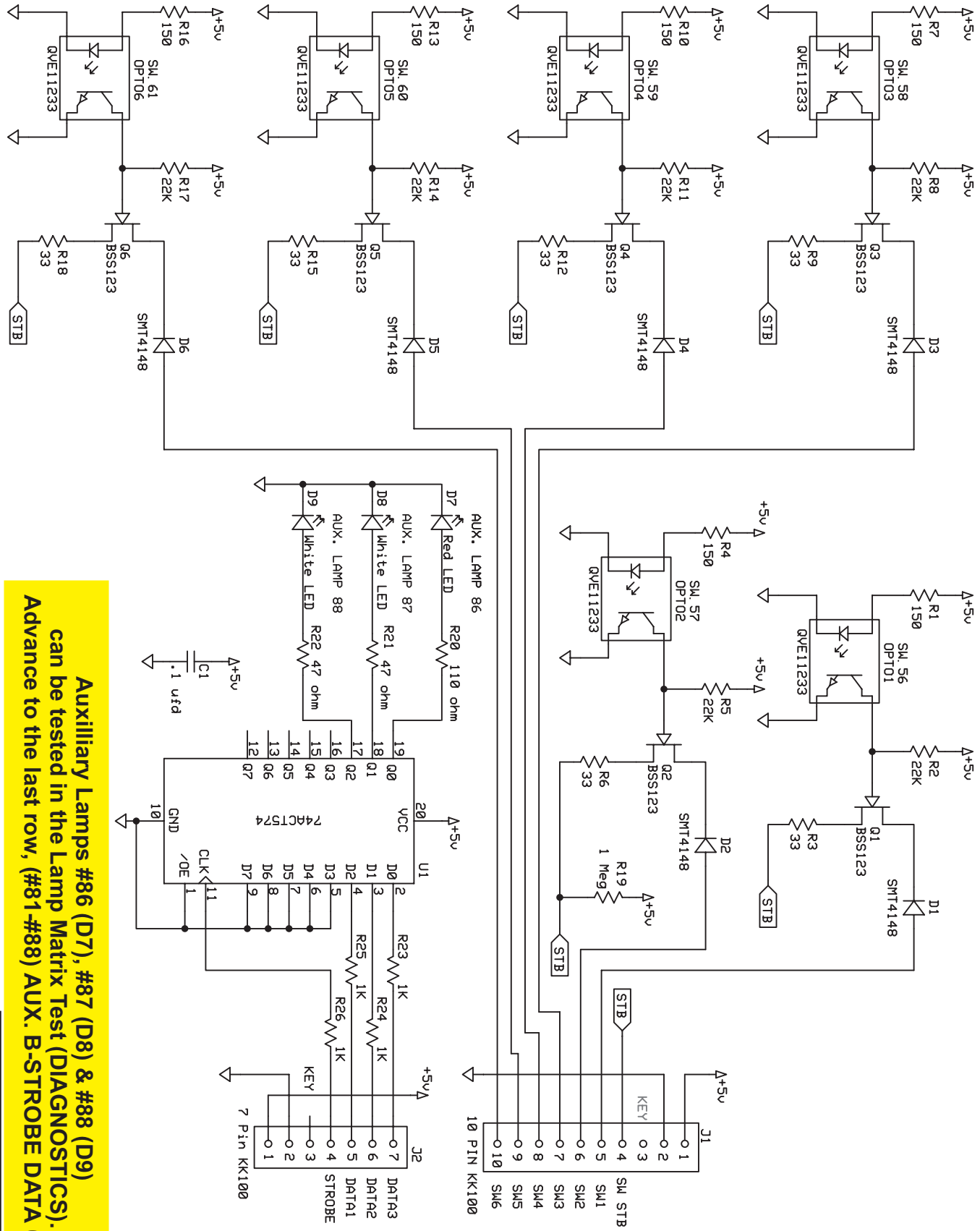


OPTO Interrupter PCB (520-5291-00) Component Layout & Parts (Driver Disc, Joker Asm.)



Item	Source	Part Number	Cust Part #	Class	Type	Description	Ref Des
1	101-0001873		RES-SMT 0805	FILM	150 OHM 5%		R1, R4
2	101-0001907		RES-SMT 0805	FILM	1M 5%		R7
3	101-0001949		RES-SMT 0805	FILM	22K 5%		R2, R5
4	101-0002350		RES-SMT 1206	FILM	33 OHM 5%		R3, R6
5	181-0004888	112-6000-00	DIOD-SMT SOD123	1N4148W	100V 350MW		D1, D2
6	211-0011181	110-6002-00	XSTR-SMT SOT-23	BSS123,100V	6 OHM N-CHAN		Q1, Q2
7	225-0007940	112-6003-00	IC-THT OTHER	QVE11233,OPTO			OPTO1, OPTO2
8	315-0005367		CON-THT HEADER	6 PIN,1 ROW,VT,TIN,.1"			J1

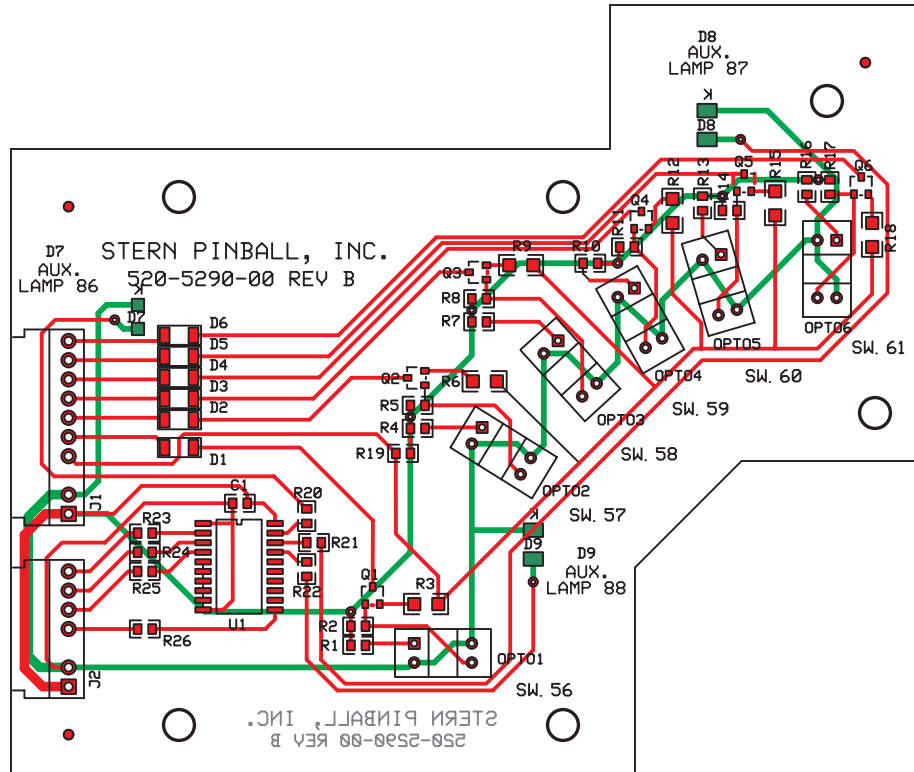
If a part is required where a part number is not provided, call Technical Support (see back of cover).



Auxiliary Lamps #86 (D7), #87 (D8) & #88 (D9) can be tested in the Lamp Matrix Test (DIAGNOSTICS). Advance to the last row, (#81-#88) AUX. B-STROBE DATA 0-9

Sec. 5: PCBs





**Auxilliary Lamps
#86 (D7), #87 (D8) & #88 (D9)
can be tested in the Lamp Matrix Test
(DIAGNOSTICS).
Advance to the last row, (#81-#88)
AUX. B-STROBE DATA 0-9**

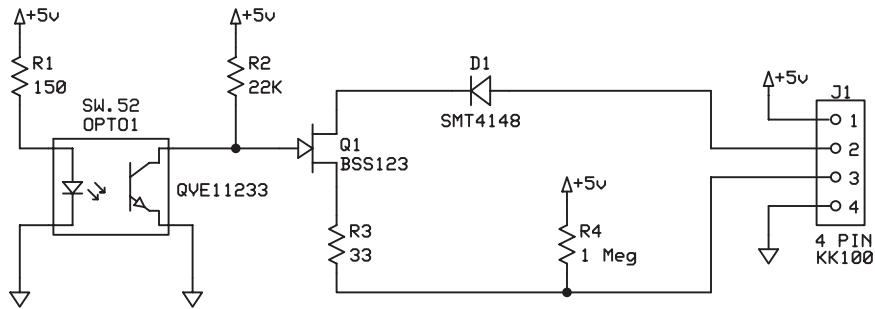
Item	Source	Part Number	Class	Type	Description	Ref Des
1	101-0001833		RES-SMT	0805	FILM 110 OHM 5%	R20
2	101-0001873		RES-SMT	0805	FILM 150 OHM 5%	R1, R4, R7, R10, R13, R16
3	101-0001905		RES-SMT	0805	FILM 1K 5%	R23, R24, R25, R26
4	101-0001907		RES-SMT	0805	FILM 1M 5%	R19
5	101-0001949		RES-SMT	0805	FILM 22K 5%	R2, R5, R8, R11, R14, R17
6	101-0002065		RES-SMT	0805	FILM 47 OHM 5%	R21, R22
7	101-0002350		RES-SMT	1206	FILM 33 OHM 5%	R3, R6, R9, R12, R15, R18
8	121-0000056		CAP-SMT	0805	CER .1UF 50V 10% X7R	C1
9	181-0004888	112-6000-00	DIOD-SMT	SOD123	1N4148W 100V 350MW	D1, D2, D3, D4, D5, D6
10	211-0011181	110-6002-00	XSTR-SMT	SOT-23	BSS123,100V 6 OHM N-CHAN	Q1, Q2, Q3, Q4, Q5, Q6
11	221-0006048		IC-SMT	SOIC	74ACT574 OCTAL D-TYPE W/3	U1
12	225-0007940	112-6003-00	IC-THT	OTHER	QVE11233,OPTO	OPTO1, OPTO2, OPTO3, OPTO4, OPTO5, OPTO6
13	315-0016156		CON-THT	HEADER	7 PIN,1 Row, R/A, .1"	J2
14	315-0016157		CON-THT	HEADER	10 PIN,1 Row, R/A, .1"	J1
15	425-0007678		LEDD-SMT	OTHER	RED, 1206, TOP	D7
16	425-0015681		LEDD-SMT	OTHER	WHITE,1210,TOP	D8, D9

If a part is required where a part number is not provided, call Technical Support (see back of cover).

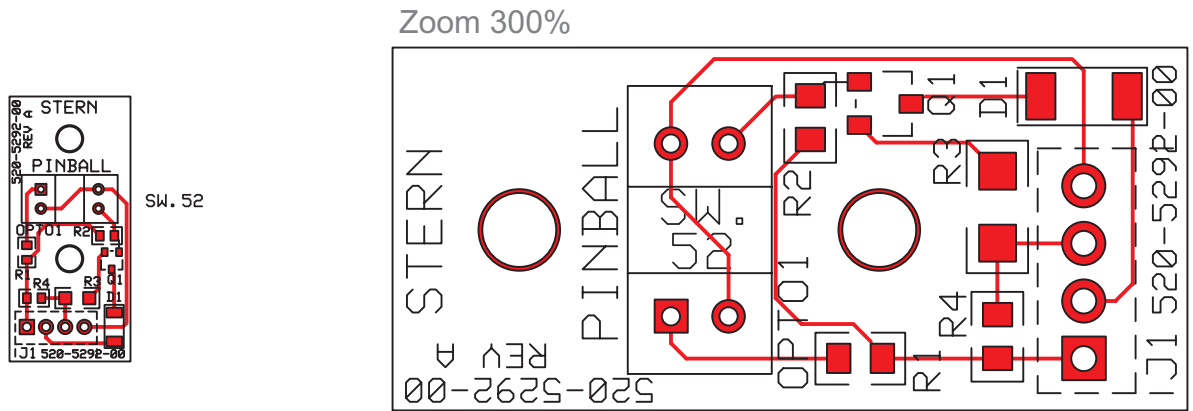
Sec. 5: PCBs



OPTO Interrupter PCB (520-5292-00) Schematic & Comp. Layout (Idler Disc, Joker Asm.)



OPTO Interrupter PCB (520-5292-00) Component Layout & Parts (Idler Disc, Joker Asm.)



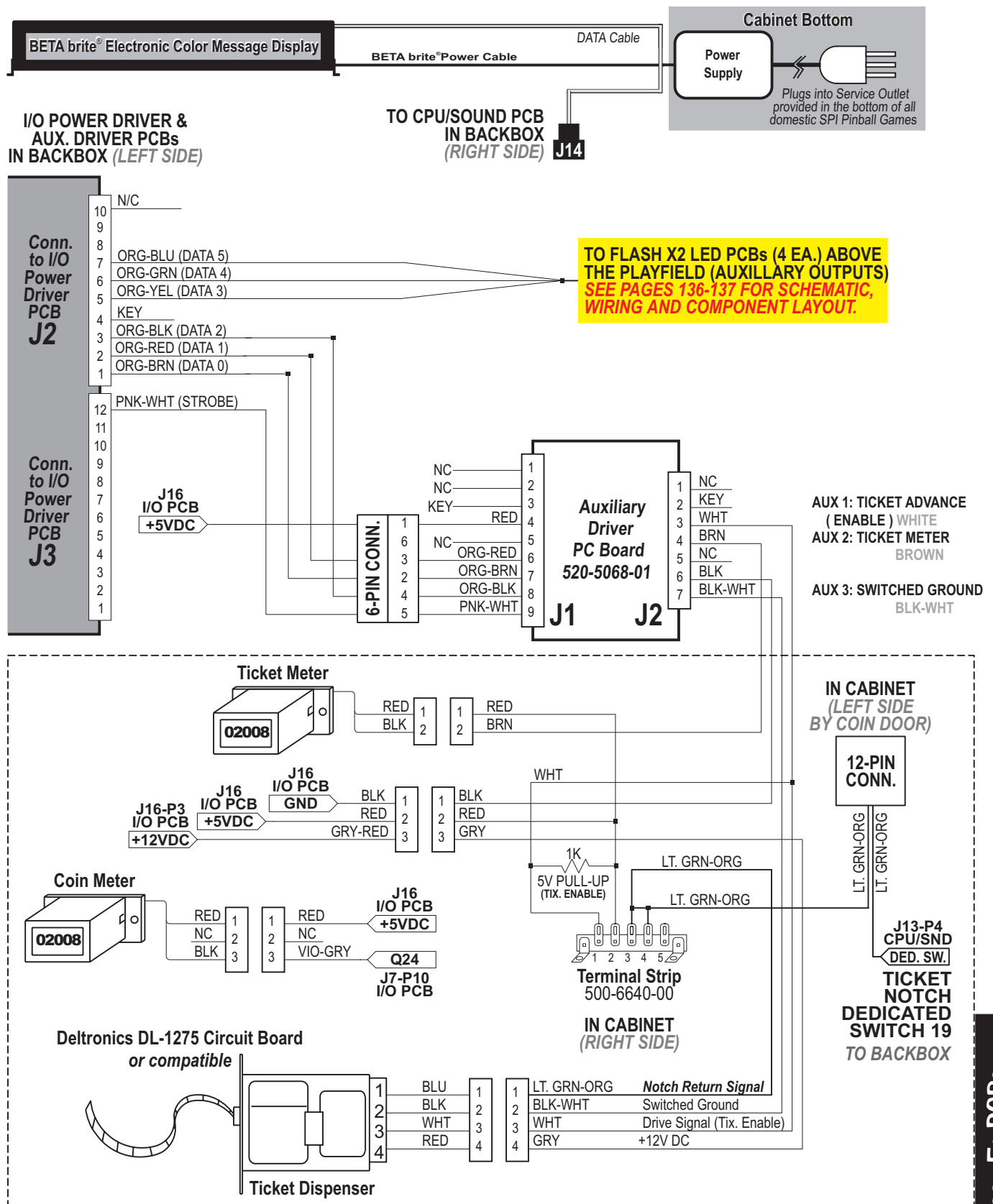
Sec. 5: PCBs

Item	Source	Part Number	Class	Type	Description	Ref Des
1	101-0001873		RES-SMT	0805	FILM 150 OHM 5%	R1
2	101-0001907		RES-SMT	0805	FILM 1M 5%	R4
3	101-0001949		RES-SMT	0805	FILM 22K 5%	R2
4	101-0002350		RES-SMT	1206	FILM 33 OHM 5%	R3
5	181-0004888	112-6000-00	DIOD-SMT	SOD123	1N4148W 100V 350MW	D1
6	211-0011181	110-6002-00	XSTR-SMT	SOT-23	BSS123,100V 6 OHM N-CHAN	Q1
7	225-0007940	112-6003-00	IC-THT	OTHER	QVE11233,OPTO	OPTO1
8	315-0005710		CON-THT	HDR	4 PIN,1 ROW,R/A,TIN,.1"	J1

If a part is required where a part number is not provided, call Technical Support (see back of cover).



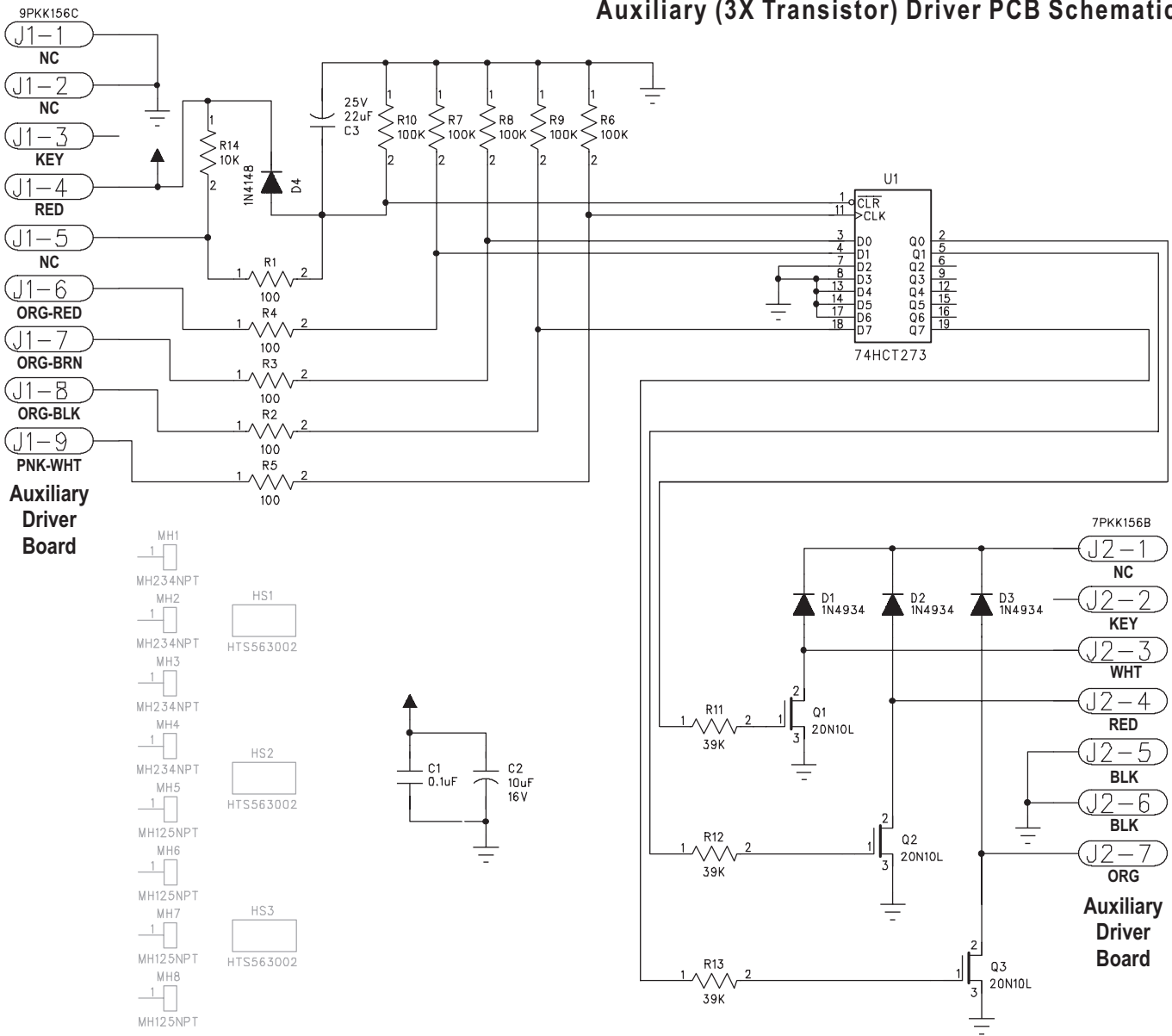
Auxiliary (3X Transistor) Driver PCB (in Backbox) with the Coin/Ticket Meter and Ticket Dispenser Wiring Diagram



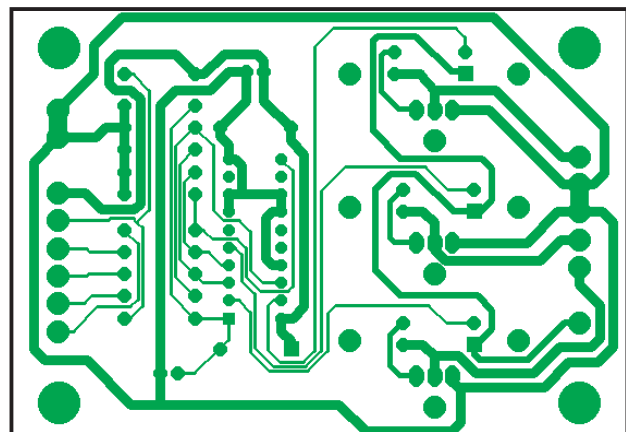
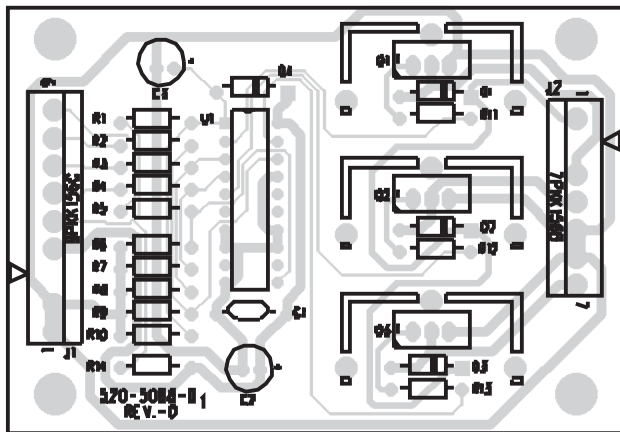
Sec. 5: PCBs



Auxiliary (3X Transistor) Driver PCB Schematic



Auxiliary (3X Transistor) Driver PCB Component Layout



Sec. 5: PCBs

ITEM	QTY	PART NUMBER	REF-DESIGNATOR	DESCRIPTION
—	1	520-5068-01	Aux. / Solenoid Expander PCB (x3 Transistor)	Complete PCB Assembly

