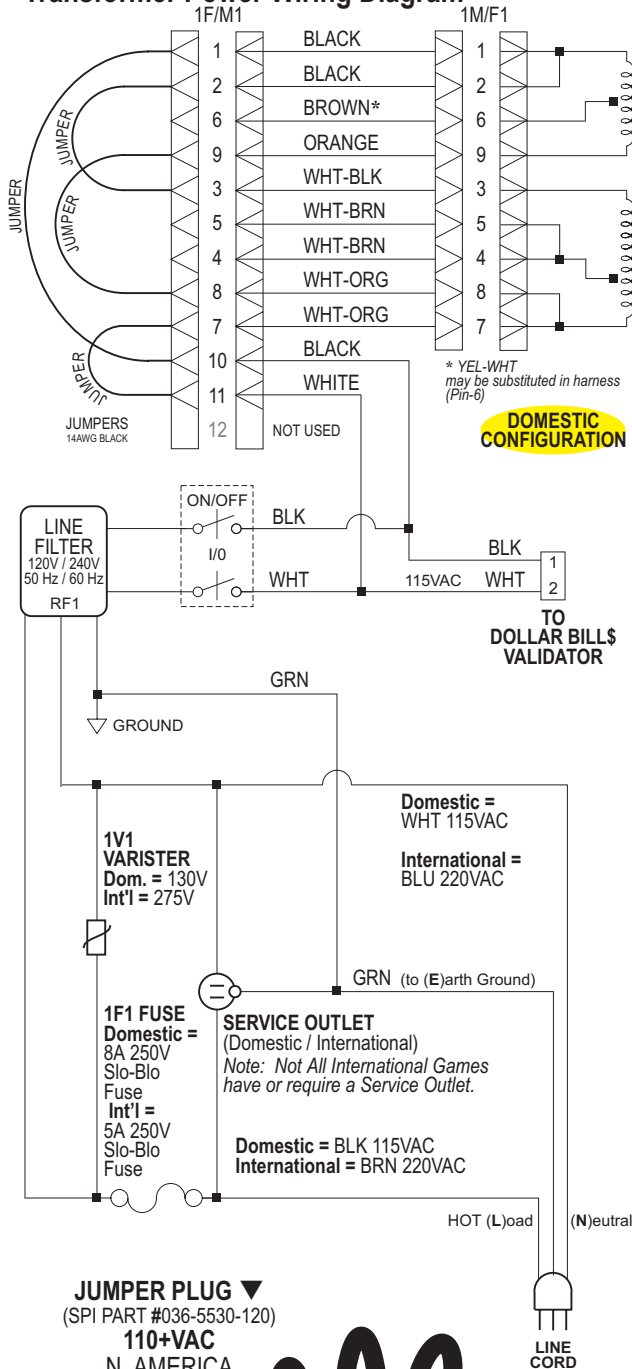
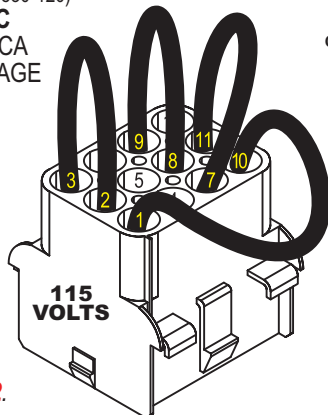


Cabinet and Coin Door Wiring

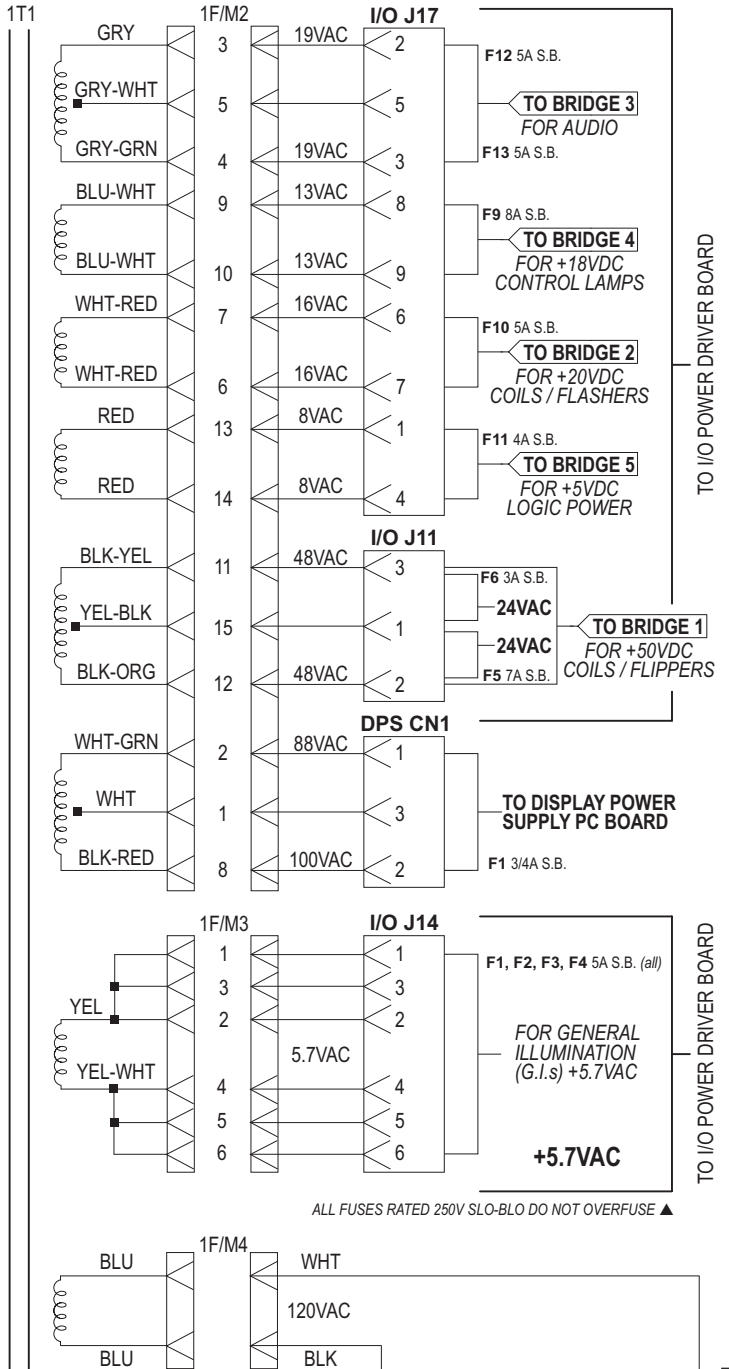
Transformer Power Wiring Diagram



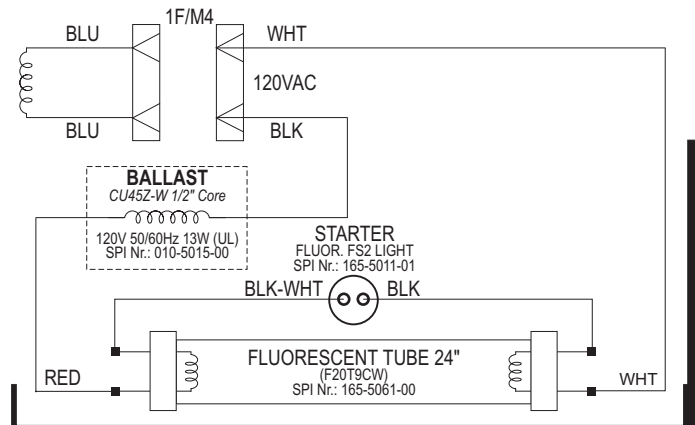
JUMPER PLUG ▼
(SPI PART #036-5530-120)
110+VAC
N. AMERICA
LINE VOLTAGE



For all the Cabinet Universal Voltage Jumper Plug Configurations for voltage variations, see the end of this Chapter, Page 102.



ALL FUSES RATED 250V SLO-BLO DO NOT OVERFUSE ▲



FLUORESCENT TUBE, STARTER & BALLAST
LOCATED IN THE BACKBOX

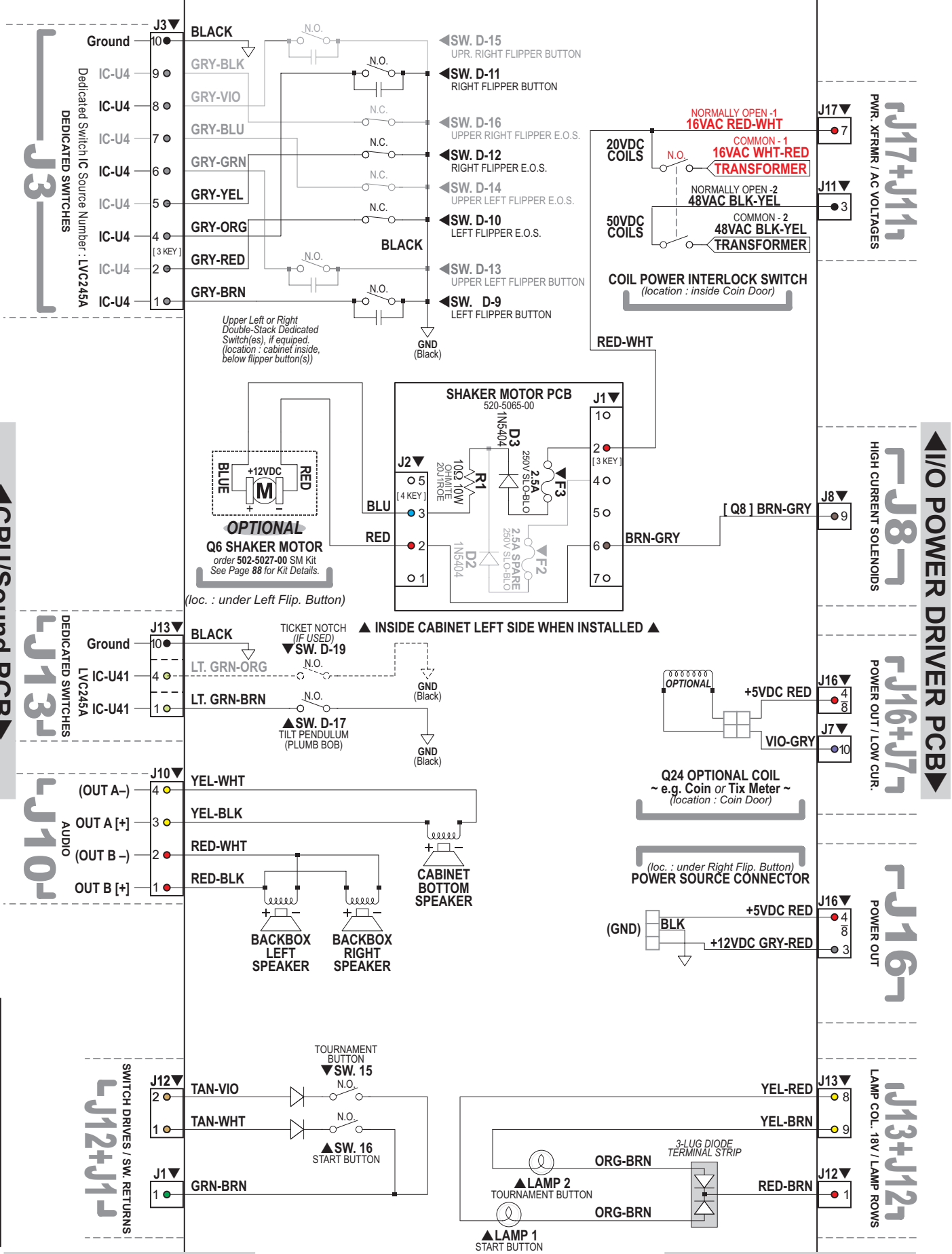
TO I/O POWER DRIVER BOARD

TO I/O POWER DRIVER BOARD

Sec. 5: Cab. & Coin



Cabinet Wiring Diagram



▶ CPU/Sound PCB

▶ I/O POWER DRIVER PCB

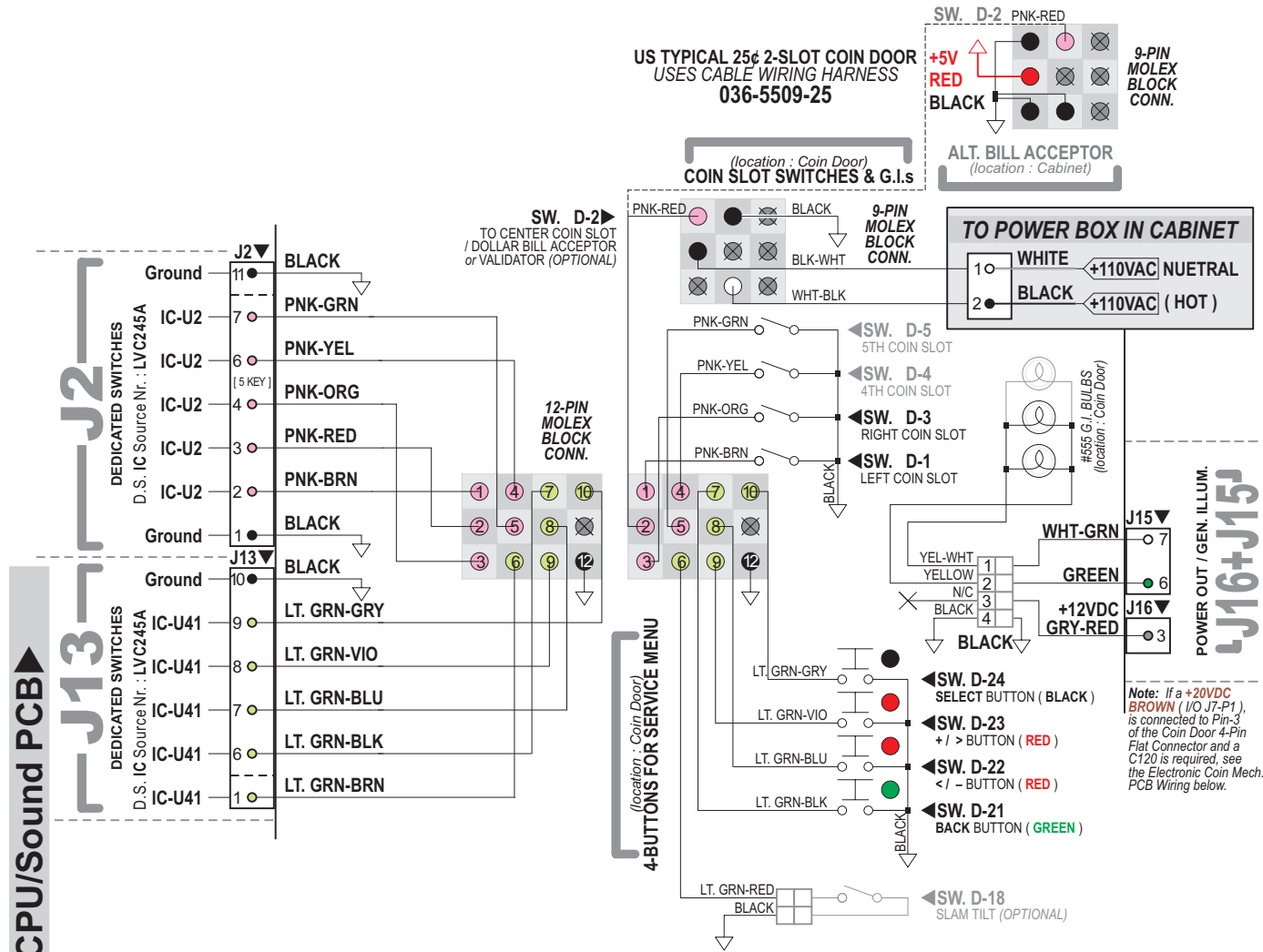
Sec. 5: Cab. & Coin

▲ CPU/Sound PCB ▲

▲ I/O POWER DRIVER PCB ▲



Coin Door Wiring Diagram



1-SLOT COIN DOOR WITH C120 CAPABILITIES (NO INTERFACE COIN MECH PCB REQUIRED)
USES CABLE WIRING HARNESS
036-5509-31A (+12VDC GRY-RED)

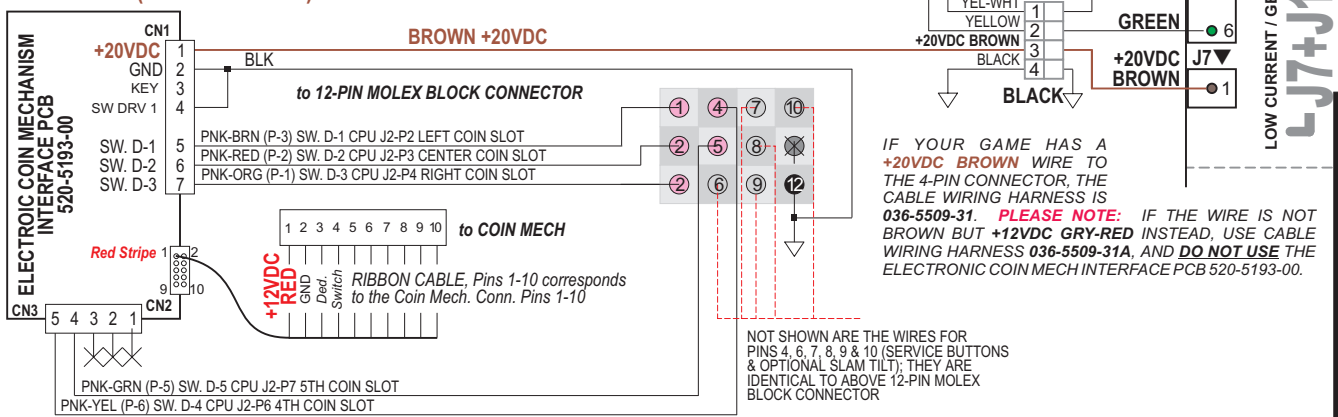
036-5509-31B (ICT/KAL ONLY) / 036-5509-31C (ODA ONLY) / 036-5509-31D (SPAIN ONLY)

NON-US NON-C120 2-SLOT COIN DOOR
USES CABLE WIRING HARNESS
036-5509-32

NON-US NON-C120 3-SLOT COIN DOOR
USES CABLE WIRING HARNESS
036-5509-33

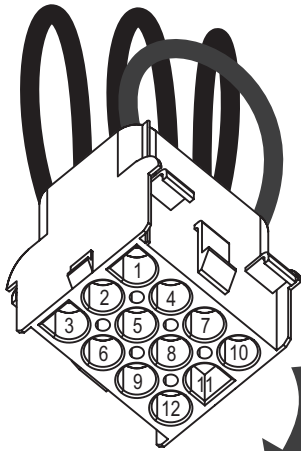
IF YOUR GAME HAS AN ELECTRONIC COIN MECH. INTERFACE PC BOARD (520-5193-00):

1-SLOT COIN DOOR USE WITH C120 CAPABILITIES REQUIRING PCB 520-5193-00
USES CABLE WIRING HARNESS
036-5509-31 (S.A.M. SYSTEM)

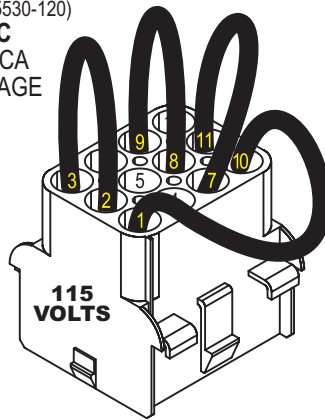


~ WIRING CONFIGURATION WILL VARY ACCORDING TO COUNTRY ~

Cabinet Universal Voltage Jumper Plugs (for use with Universal AC Cable, 036-5530-00 ONLY)



JUMPER PLUG ▼
(SPI PART #036-5530-120)
110+VAC
N. AMERICA
LINE VOLTAGE



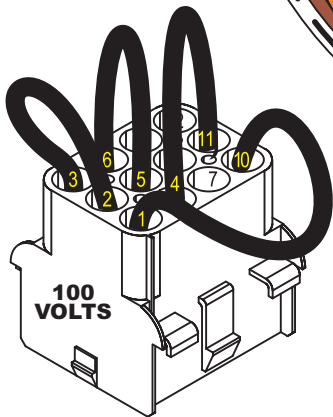
12-PIN FEMALE SIDE TO JUMPER
12-PIN MALE SIDE CONNECTOR

9-PIN MALE SIDE TO TRANSFORMER
9-PIN FEMALE SIDE CONN.

- 1 BLK
- 2 BLK
- 3 WHT-BLK
- 4 WHT-BRN
- 5 WHT-BRN
- 6 BRN (or YEL-WHT)
- 7 WHT-ORG
- 8 WHT-ORG
- 9 ORG
- 10 BLK
- 11 WHT
- 12 N/U

12-PIN F/M CONN.
BACK VIEW ▲

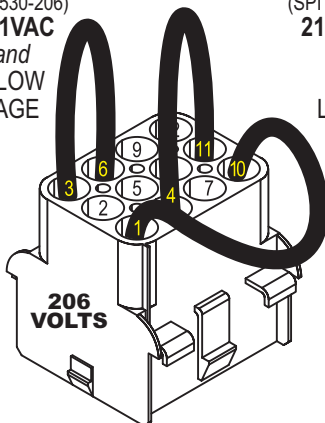
9-PIN F/M CONN.
▲ BACK VIEW



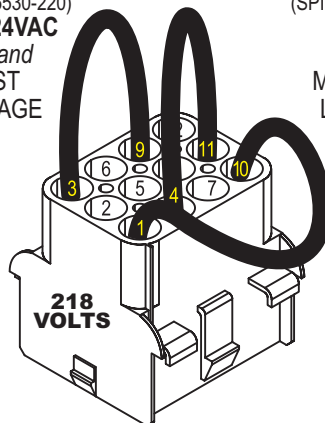
JUMPER PLUG
(SPI PART #036-5530-100)
98VAC – 109VAC
JAPAN or
N. AMERICA LOW
LINE VOLTAGE

Black & White wires from
the POWER BOX, cabinet bottom
to 12-Pin Conn., Pins 10 & 11..

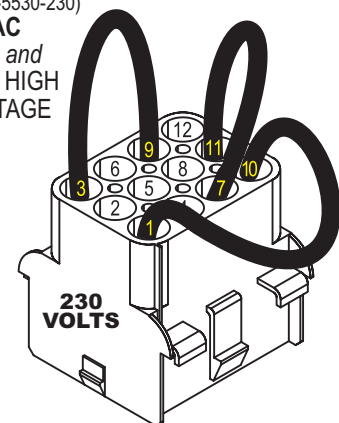
JUMPER PLUG ▼
(SPI PART #036-5530-206)
200VAC – 211VAC
EUROPE and
MID. EAST LOW
LINE VOLTAGE



JUMPER PLUG ▼
(SPI PART #036-5530-220)
212VAC – 224VAC
EUROPE and
MID. EAST
LINE VOLTAGE



JUMPER PLUG ▼
(SPI PART #036-5530-230)
225+VAC
EUROPE and
MID. EAST HIGH
LINE VOLTAGE



Sec. 5: Cab. & Coin

