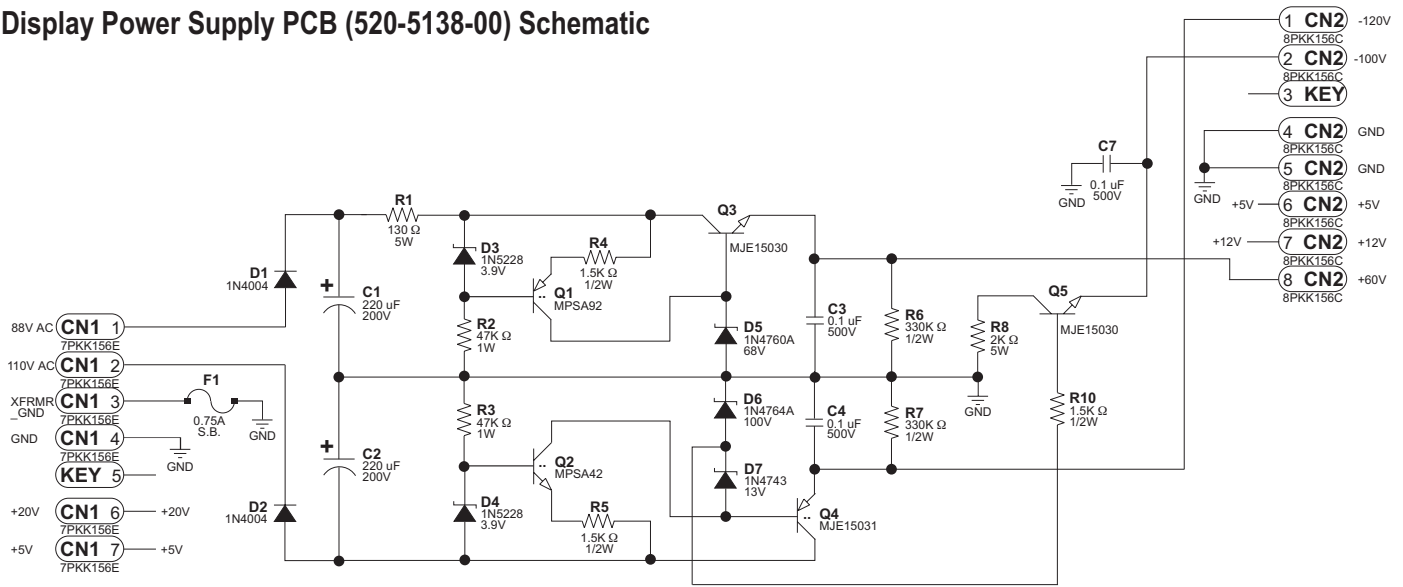
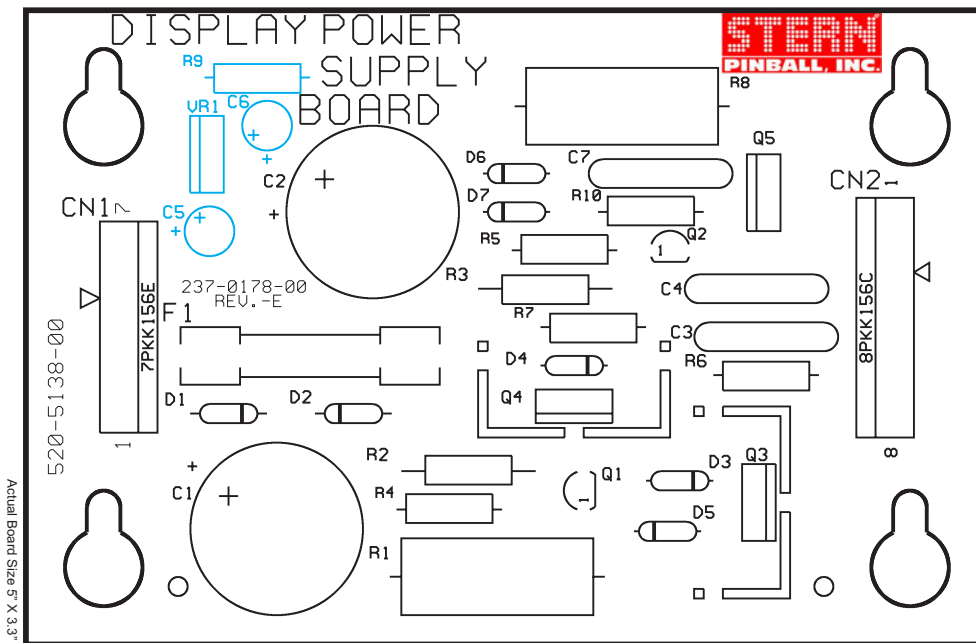


Display Power Supply PCB (520-5138-00) Schematic



Display Power Supply PCB (520-5138-00) Component Layout & Parts



ITEM	QTY	PART NUMBER	REF-DESIGNATOR	DESCRIPTION (NS = Not Stuffed)
1	1	520-5138-00	Display Power Supply PCB	(includes Items 1-2 + 4-24)
2	2	125-5044-00	C1, C2	220uF, 200v, Radial Lytic Cap.
3	3	125-5035-00	C3, C4, C7	0.1uF, 500v, Ceramic Disk Cap.
4	0	125-5003-00	(C5, C6: NS)	22uF, 35v, Rad Lytic Cap
5	1	045-5015-07	CN1	7PKK156E (PIN5=KEY)
6	1	045-5015-08	CN2	8PKK156 (PIN3=KEY)
7	2	112-5003-00	D1, D2	1N4004, Diode
8	2	112-0053-00	D3, D4	1N5228, 3.9v, Diode
9	1	112-0062-00	D5	1N4760A, 68v, Diode
10	1	112-0049-00A	D6	1N4764A, 100v, Diode
11	1	112-0061-00	D7	1N4743, 13v, Diode
12	1	200-5000-17	F1	3/4A (0.75A) S.B. Fuse
13	2	205-0004-00	F1	Fuse Clip
14	1	110-0100-00	Q1	MPSA92, Transistor
15	1	110-0082-00	Q2	MPSA42, Transistor
16	2	110-0101-00	Q3, Q5	MJE15030, Transistor
17	2	535-5000-11	Q3, Q4	Heatsinks - AAVID #563002
18	2	240-5008-00	Q3, Q4	#6-32 KEPS Nut
19	2	237-5501-00	Q3, Q4	#6-32 X 3/8" PPH Screw
20	1	110-0103-00	Q4	MJE15031, Transistor
21	1	121-5061-00	R1	130 Ω Resistor SMT, 5W
22	2	121-5060-00	R2, R3	47k Ω Resistor SMT, 1W
23	3	121-5038-00	R4, R5, R10	1.5K Ω Resistor SMT, 1/2W (R9: NS)
24	2	121-5059-00	R6, R7	330K Ω Resistor SMT, 1/2W
25	1	121-5062-00	R8	2K Ω Resistor SMT, 5W
26	0	124-5003-00	(VR1: NS)	7812CT

Sec. 5: PCBs

