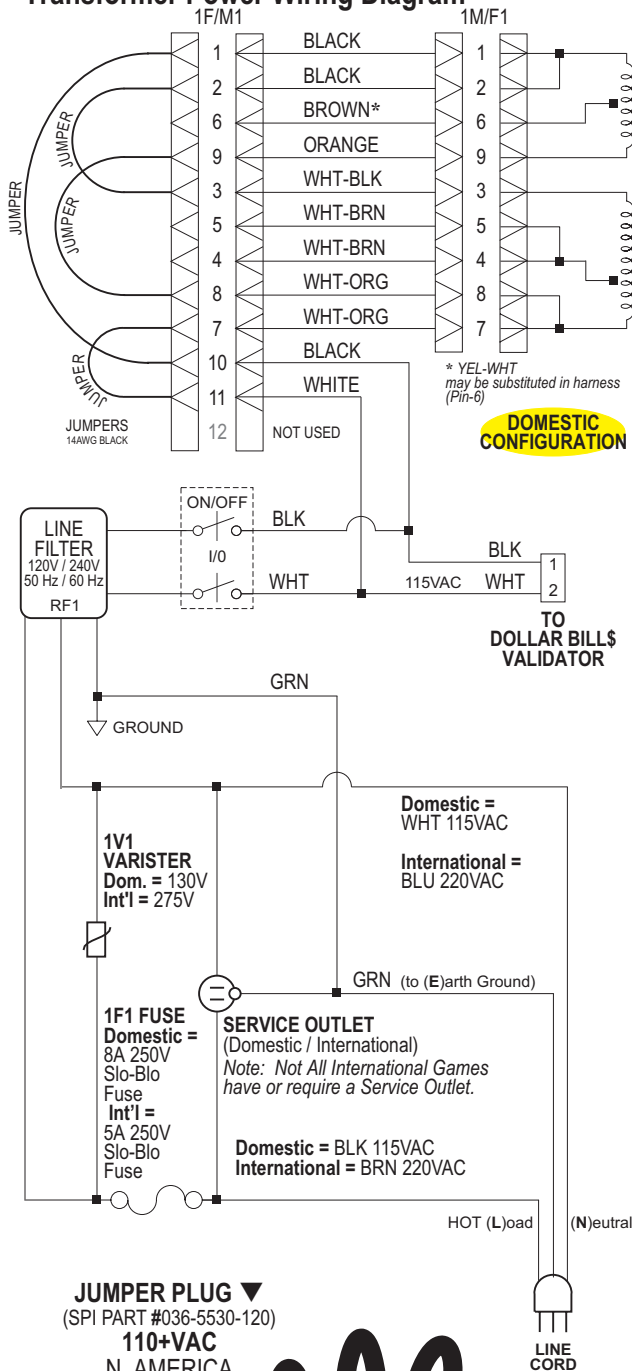
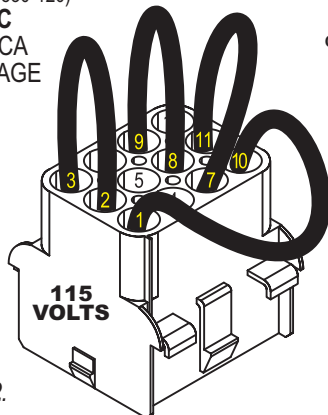


# Cabinet and Coin Door Wiring

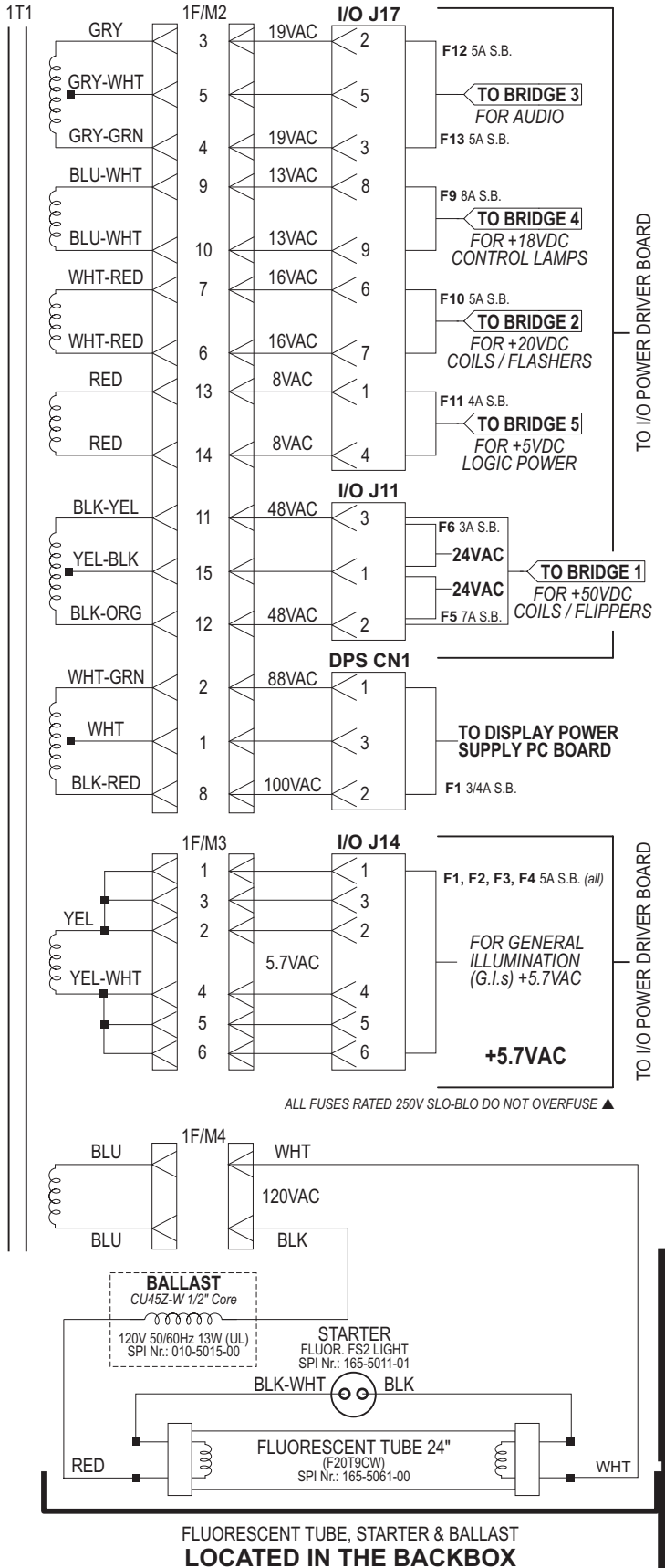
## Transformer Power Wiring Diagram



**JUMPER PLUG ▼**  
(SPI PART #036-5530-120)  
**110+VAC**  
N. AMERICA  
LINE VOLTAGE

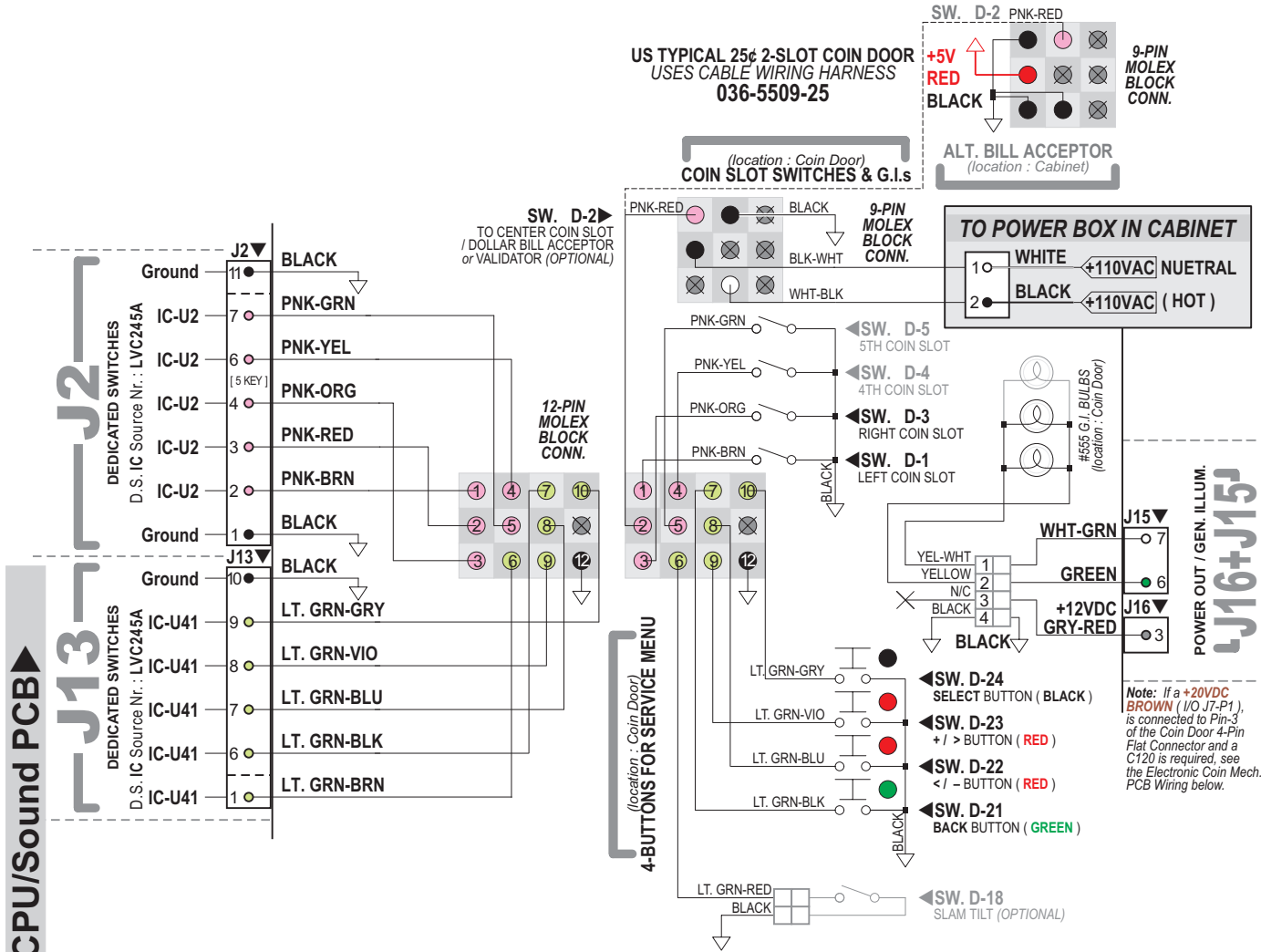


For all the Cabinet Universal Voltage Jumper Plug Configurations for voltage variations, see the end of this Chapter, Page 102.





# Coin Door Wiring Diagram



**1-SLOT COIN DOOR WITH C120 CAPABILITIES (NO INTERFACE COIN MECH PCB REQUIRED)**  
USES CABLE WIRING HARNESS  
**036-5509-31A (+12VDC GRY-RED)**

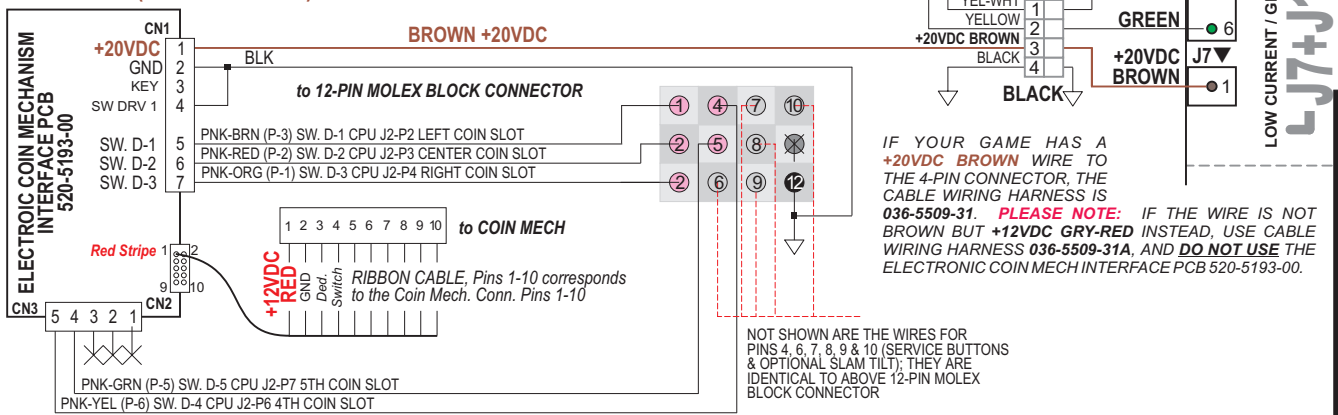
036-5509-31B (ICT/KAL ONLY) / 036-5509-31C (ODA ONLY) / 036-5509-31D (SPAIN ONLY)

**NON-US NON-C120 2-SLOT COIN DOOR**  
USES CABLE WIRING HARNESS  
**036-5509-32**

**NON-US NON-C120 3-SLOT COIN DOOR**  
USES CABLE WIRING HARNESS  
**036-5509-33**

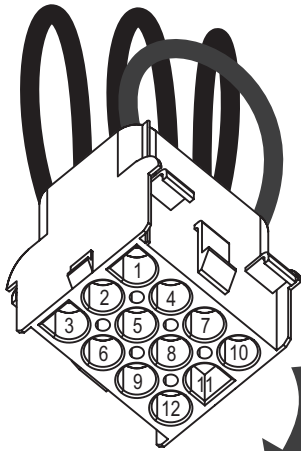
**IF YOUR GAME HAS AN ELECTRONIC COIN MECH. INTERFACE PC BOARD ( 520-5193-00 ):**

**1-SLOT COIN DOOR USE WITH C120 CAPABILITIES REQUIRING PCB 520-5193-00**  
USES CABLE WIRING HARNESS  
**036-5509-31 (S.A.M. SYSTEM)**

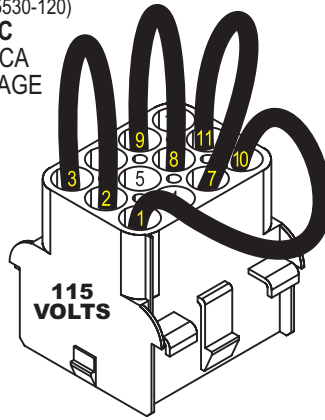


~ WIRING CONFIGURATION WILL VARY ACCORDING TO COUNTRY ~

Cabinet Universal Voltage Jumper Plugs (for use with Universal AC Cable, 036-5530-00 ONLY)



**JUMPER PLUG ▼**  
(SPI PART #036-5530-120)  
**110+VAC**  
N. AMERICA  
LINE VOLTAGE



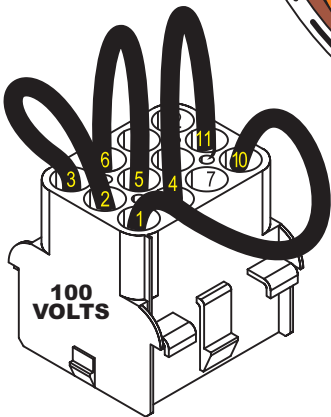
12-PIN FEMALE SIDE TO JUMPER  
12-PIN MALE SIDE CONNECTOR

9-PIN MALE SIDE TO TRANSFORMER  
9-PIN FEMALE SIDE CONN.

- 1 BLK
- 2 BLK
- 3 WHT-BLK
- 4 WHT-BRN
- 5 WHT-BRN
- 6 BRN (or YEL-WHT)
- 7 WHT-ORG
- 8 WHT-ORG
- 9 ORG
- 10 BLK
- 11 WHT
- 12 N/U

12-PIN F/M CONN.  
BACK VIEW ▲

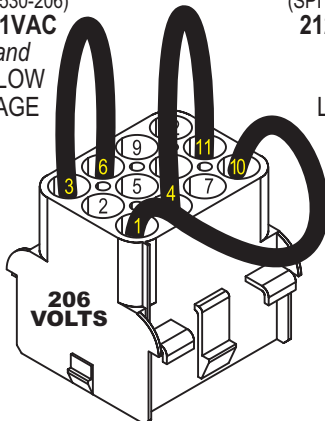
9-PIN F/M CONN.  
▲ BACK VIEW



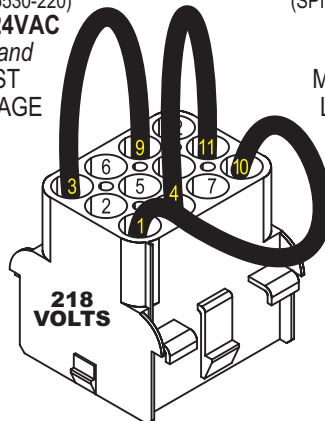
**JUMPER PLUG**  
(SPI PART #036-5530-100)  
**98VAC - 109VAC**  
JAPAN or  
N. AMERICA LOW  
LINE VOLTAGE

Black & White wires from  
the POWER BOX, cabinet bottom  
to 12-Pin Conn., Pins 10 & 11..

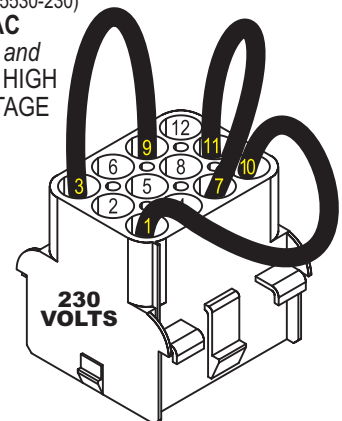
**JUMPER PLUG ▼**  
(SPI PART #036-5530-206)  
**200VAC - 211VAC**  
EUROPE and  
MID. EAST LOW  
LINE VOLTAGE



**JUMPER PLUG ▼**  
(SPI PART #036-5530-220)  
**212VAC - 224VAC**  
EUROPE and  
MID. EAST  
LINE VOLTAGE



**JUMPER PLUG ▼**  
(SPI PART #036-5530-230)  
**225+VAC**  
EUROPE and  
MID. EAST HIGH  
LINE VOLTAGE



Sec. 5: Cab. & Coin

