



Service Bulletin #190

November 13, 2017

Ghostbusters, Aerosmith, Batman, Star Wars (All Models)

Capacitor Service Kit 502-7060-00

Notice: The latest models will already have a capacitor installed on nodes 8 and 9. Service is only necessary if your game is missing a capacitor on either node board.

For Games:

- Ghostbusters (all models)
- Aerosmith (all models)
- Batman (all models)
- Star Wars (all models)

Symptom:

False switch activations during gameplay.

Problem:

Electrical noise on the 48v power source.

Solution:

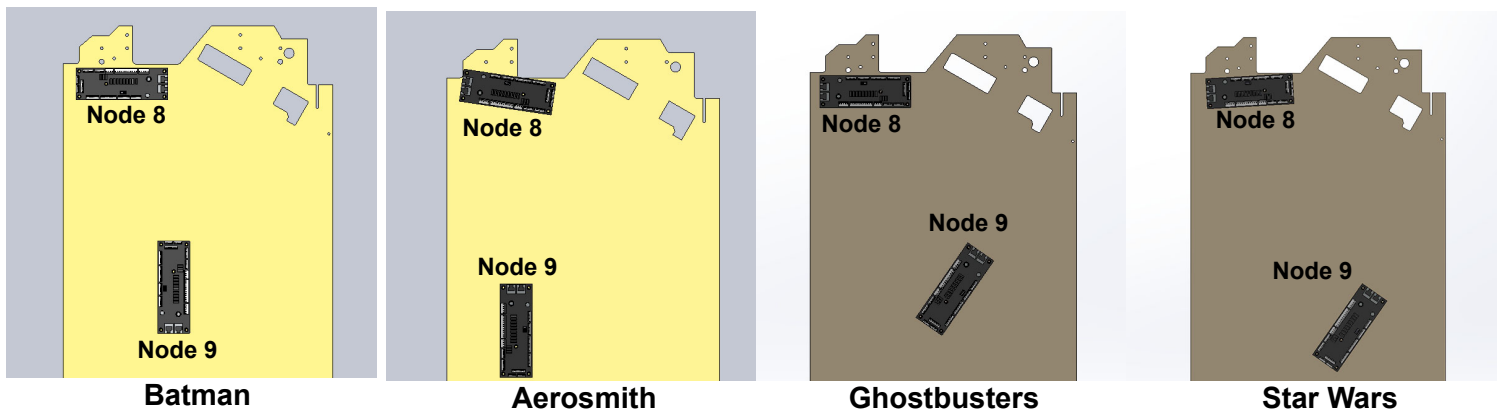
Install the Capacitor Service Kit 502-7060-00.

US customers should contact Stern Pinball, Inc. at 800-542-5377 or Parts.Service@sternpinball.com

All customers outside of the US should contact their distributor.

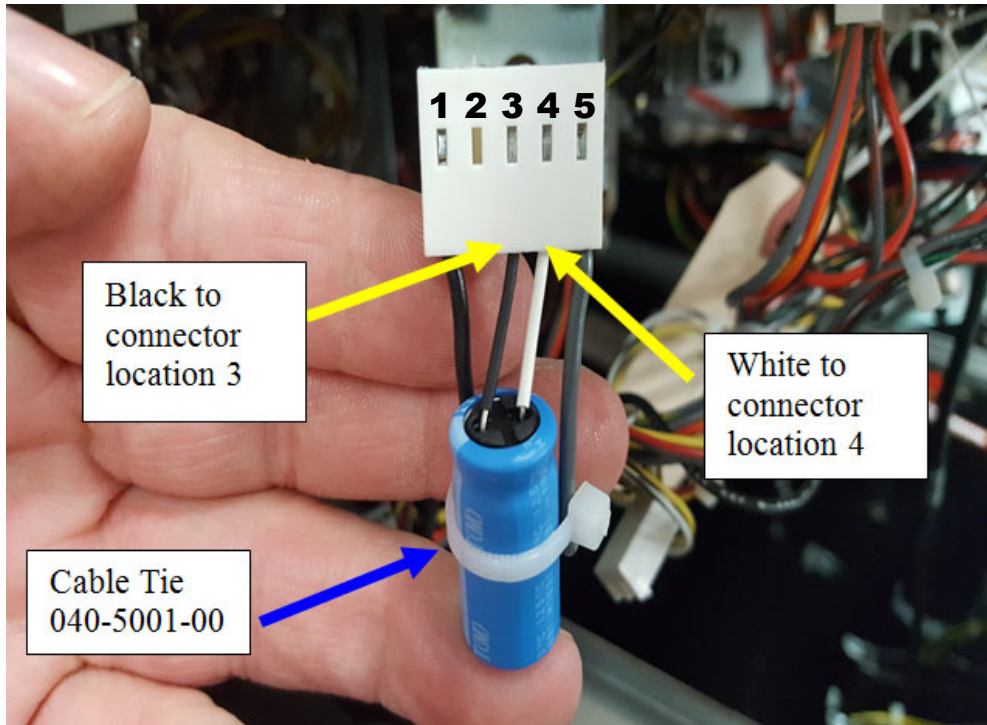
Procedure:

1. Locate and unplug the 5-pin power connector CN6 on core nodes 8 and 9.



2. Install capacitor assembly's Black wire to position number 3 and the White wire to position number 4.

3. Secure the capacitor to the power wiring with a cable tie (040-5001-00).



4. The finished pinout of the power connector should be:

- 1- Black
- 2- Key (blank)
- 3- Black (to capacitor)
- 4- White (to capacitor)
- 5- Gray

5. Reconnect the power connector CN6 to the core node.